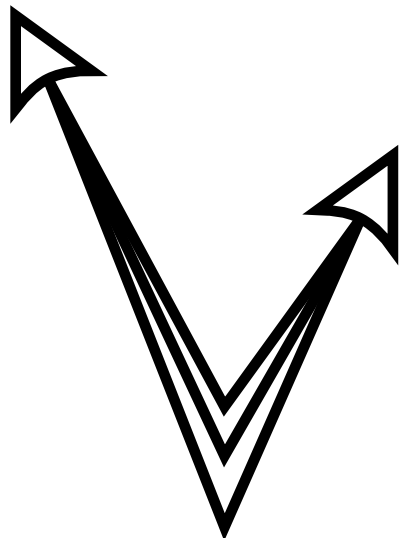


PURCHASE THIS ONLINE FROM [WWW.THEWATERTREATMENTSTORE.COM](http://WWW.THEWATERTREATMENTSTORE.COM).

# Biomate Series

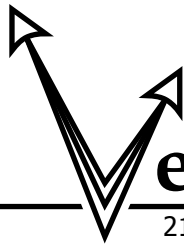


**vector**  
**Industries, Inc.**

---

Biomate 2000-25 Shown

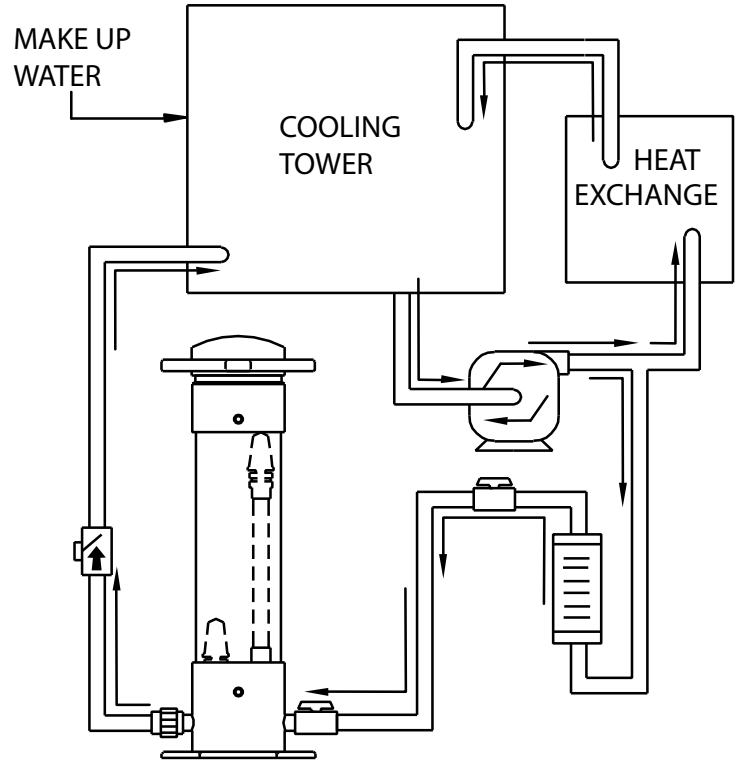
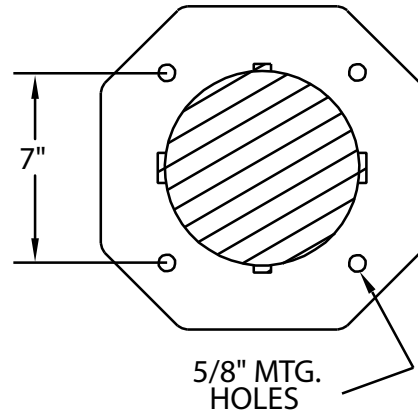
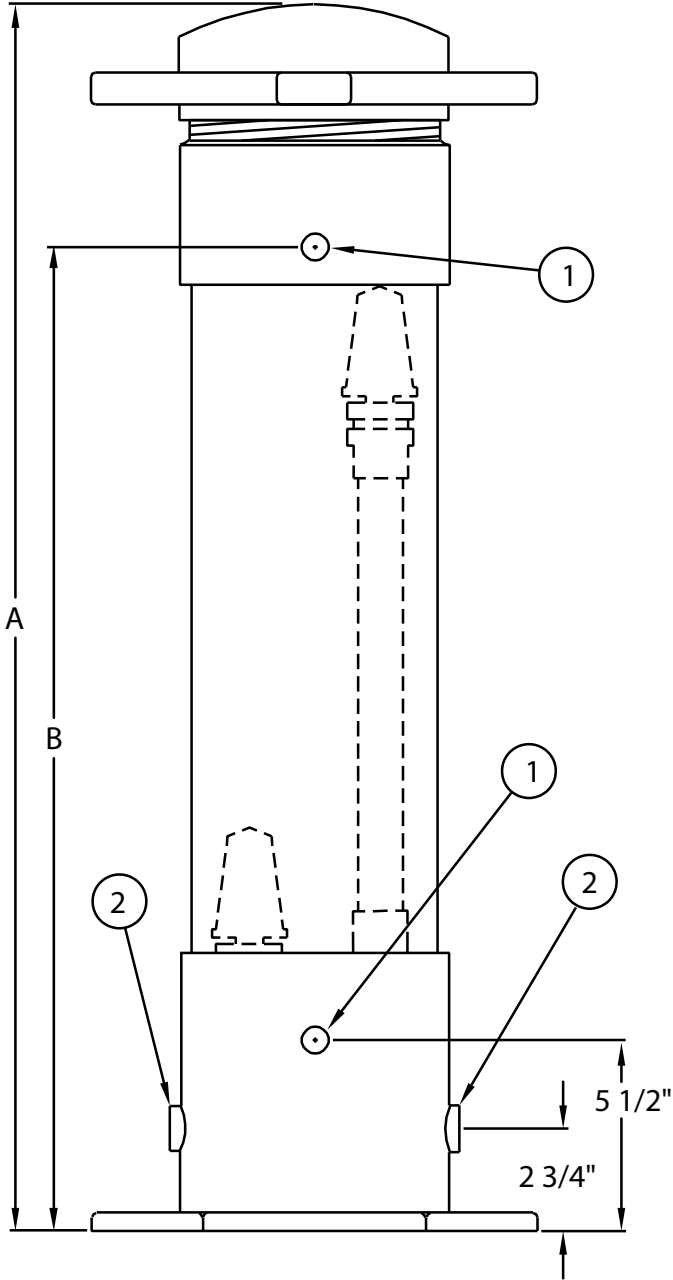




# ector Industries, Inc.

2125 S. West Avenue Waukesha, WI 53189

## Biomate Series Biocide Feeders



- ① 1/2" FEMALE NPT PORT    ② 1" FEMALE NPT PORT

Model	Approx. Capacity	A	B	Shipping Weight
BIOMATE 2000-15	15 lbs	21"	15"	25 lbs
BIOMATE 2000-25	25 lbs	33"	27"	28 lbs
BIOMATE 2000-50	50 lbs	33"	51"	38 lbs

Comes furnished with PRV-125 Pressure Relief Valve / Solid white feeders also available. / \*VALVE KIT SOLD SEPARATELY\*