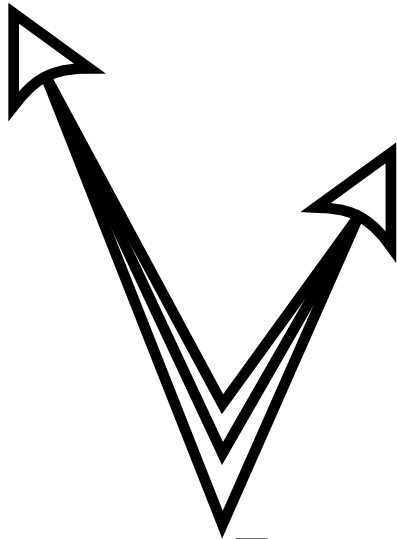


PURCHASE THIS ONLINE FROM WWW.THEWATERTREATMENTSTORE.COM

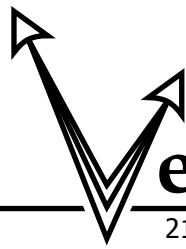
Economate Series



vector
Industries, Inc.



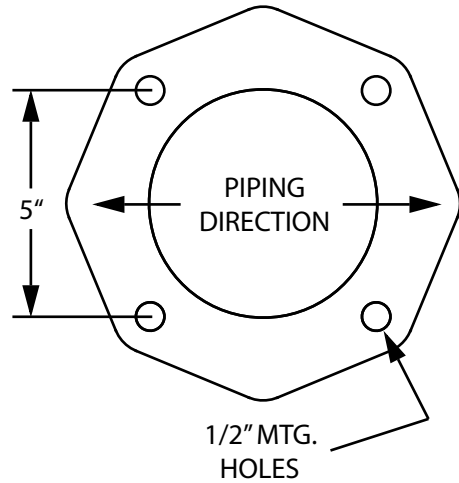
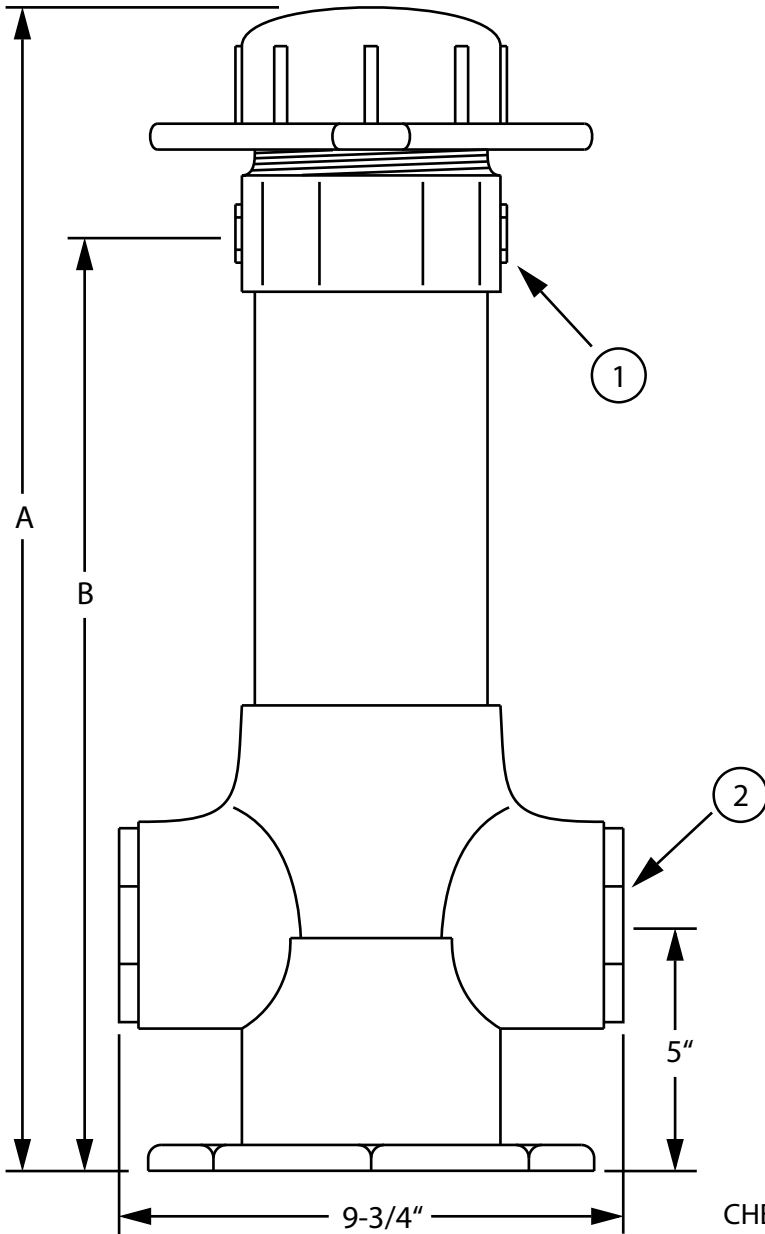
Economate-5 Shown



ector Industries, Inc.

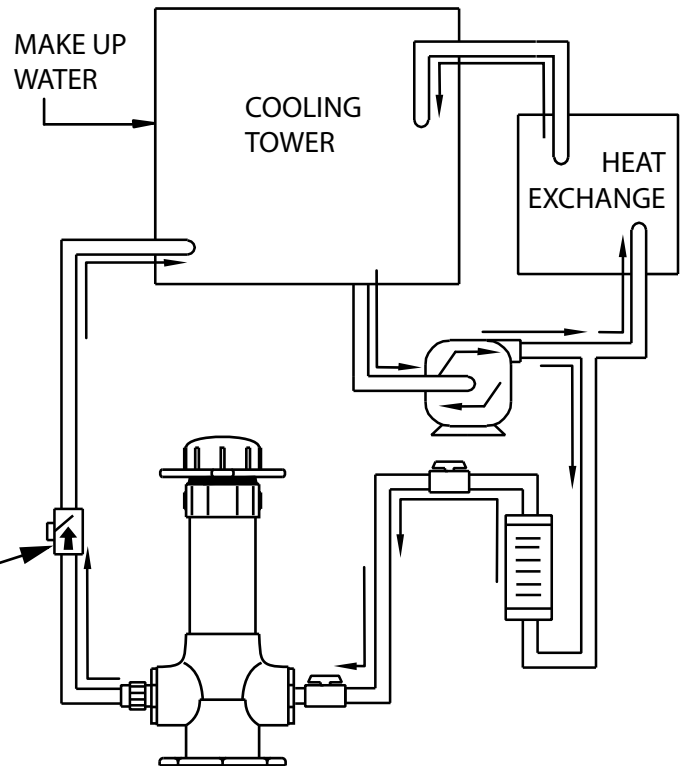
2125 S. West Avenue Waukesha, WI 53189

Economate Series Biocide Feeders



① 1/2" FEMALE NPT PORT ② 1" FEMALE NPT PORT

Model	Capacity	A	B	Shipping Weight
Economate-5	5 POUNDS	23"	18"	15 lbs.
Economate-8	8 POUNDS	35"	30"	16 lbs



PRV-125 and valve package sold separately / Solid white feeders also available.