

NanoTron

Dual Relay Control

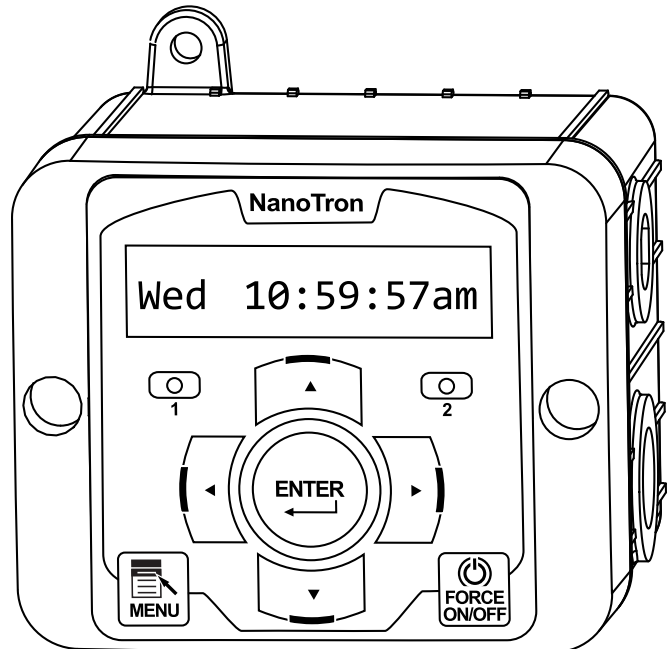
Microprocessor Control of:

- **Conductivity**
- **Feed Timer**
 - Pulse
 - 28-Day
 - Recycle
 - Post Bleed
 - Reminder

Key Features

- Compact Design
- Simple Step Through Menu
- NEMA 4X Style Enclosure
- Raised Dome Keypad
- Non-Volatile Memory
- Water Meter Totalizer
- 2 Year Warranty
- Available Flow Switch
- Prewired Configuration

Click Here to build your own NanoTron, or just to check the prices on: TheWaterTreatmentStore.com.
A discount is applied during the check out process before you enter your credit card. Thus, you will be able to view your final discounted price before buying.
We accept Visa, Mastercard, American Express, and Discover.



Application

The NanoTron is a compact, dual relay microprocessor-based controller with many standard features. NanoTron models are available to control conductivity and one selectable feed timer, or two independently programmable feed timers.

The NanoTron platform provides an economical option for conductivity control of a cooling tower, boiler, or other recirculating water system. Selectable feed timer options include: pulse, post bleed, with bleed, recycle, 28-day, and reminder.

Build a Model

The model number starts with NANO followed by a single control function then any additional options.
Example: NANO-C

Control Functions

- C** = Tower conductivity with 1 feed timer
- C4** = Tank mount conductivity with 1 feed timer
- B2** = Boiler conductivity with 1 feed timer
- F2** = Two feed timers

Options

Your unit may be supplied with one or more options listed at the end of the model number.

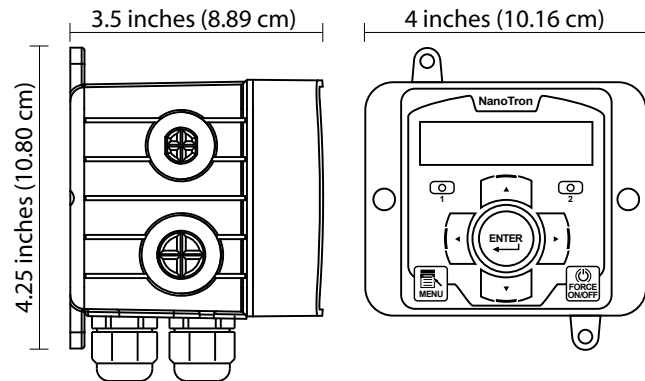
- A** Conduit connections
- E** Panel mounted flow switch assembly

All NanoTron units include:

- 2 relay outputs with “force on” mode
- 1 low drum alarm input
- 1 water meter input with accumulator and totalizer

NANO-F2 units include two drum level and water meter inputs. Their timer selections include: pulse, recycle, batch and 28-day.

Conductivity units can be set for rising or falling set points and continuous, timed or sample and hold.



Specifications

Electrical

- **Input:** 100-240 VAC, 50/60 Hz
 - **Control:** Input VAC, 3 Amp / relay
- Prewired units are supplied with an 8' (248.84 cm) power cord and 8" (20.32 cm) output receptacles.
- **Water Meter:** Dry contact
Hall-effect; +5 VDC input

Operational

- **Conductivity Scale Ranges:**
 - Low:** 5-1,000µS
 - Mid:** 100-5,000µS
 - High:** 1,000-20,000µS
- **Display:** LCD 1 x 16 backlit alphanumeric
- **Timers (selectable):**
 - Reminder:** 1-99 days
 - With Bleed:** HH:MM limit time
 - Post Bleed:** 0-100%, HH:MM limit time
 - Pulse:** 1-9999 counts, MM:SS run time
 - Recycle:** HH:MM off cycle, MM:SS on cycle
 - 28-Day:** Weeks, Days, HH:MM run time

Enclosure

NEMA 4X style high impact thermoplastic

Environment

Ambient temperature: 0° to 125°F (-17 to 52°C)
Relative humidity: 0 to 100%

Electrode

Standard tower electrode is supplied in a 3/4" (1.91 cm) Sch. 80 PVC female slip tee with quick release nut.

- **TE-4A** 120 PSI (8.2 bar) @ 125°F (51.67°C)
 - **DC-4A** 180°F (82.22°C) max tank mount electrode
- Boiler electrodes are supplied with a 1" (2.54 cm) MNPT bushing
- **BE-32** 250 PSI (17.2 bar) @ 400°F (204.44°C)

Shipping Weight: Approximately 2 lbs. (0.91 kg)

Dimensions: Width: 4" (10.16 cm)
Height: 4.25" (10.80 cm)
Depth: 3.5" (8.89 cm)

Optional E Panel Dimensions:
Width: 14" (35.56 cm)
Height: 17" (43.18 cm)

Get the Advantage



4700 Harold Abitz Dr
Muskogee, OK 74403
800-743-7431 phone
888-686-6212 fax
www.advantagecontrols.com