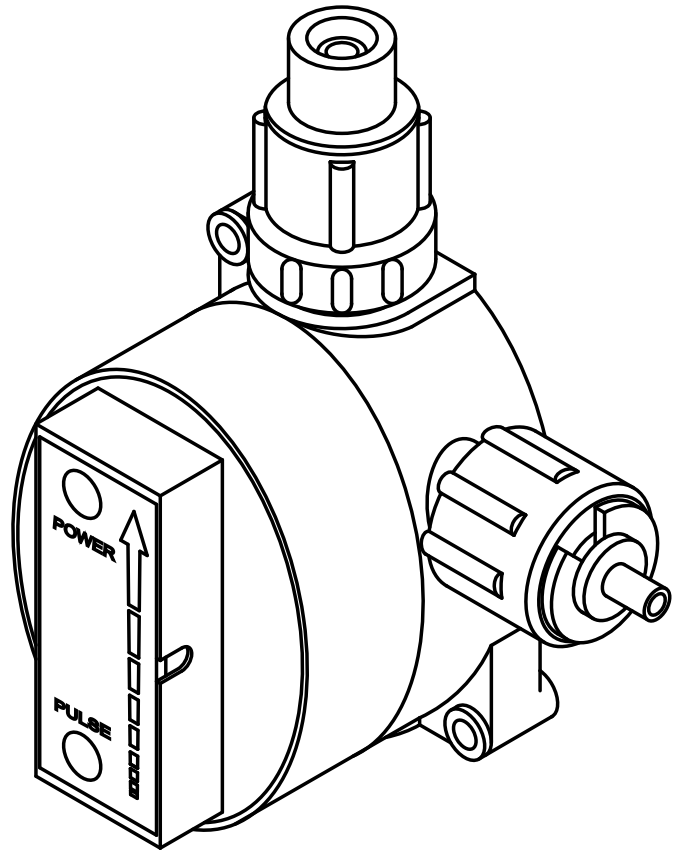


This product bulletin is provided by www.TheWaterTreatmentStore.com which is a wholly owned subsidiary of Richard Hourigan, Inc. To view our listing of Advantage Controls products available for on line purchase (at 10%-20% discounts) or to order a custom made Advantage Controls package at the same discount rate, **CLICK ANYWHERE WITHIN THIS BOX.**

FloTracker

Pump Feed Verification with Digital Pump Flow Measurement



Key Features

- Measures Pump Output
- Mounts on MicroTron Pumps or a Wall
- Pulse Output of Flow to Controller or Pump
- Loss of Prime Notification
- Inventory Management
- LED Indicators
- Instantaneous Confirmation

Application

The FloTracker from Advantage Controls keeps track of a pump flow output by actually measuring product passing through the discharge tubing or piping.

FloTracker transmits a digital pulse output for every 3 mL or 0.1 oz of flow through the precision elliptical gears.

The pulse output can be tracked and processed by Series A and R pumps or MegaTron controllers for inventory control, loss of prime notification and feed verification.

FloTracker can be mounted directly onto Advantage pumps, a wall or a panel with tubing and piping connection options.

Build a Model

The FloTracker is available as an option on a MicroTron metering pump or as a stand alone accessory item.

To order a FloTracker on a pump, build your pump model and add the suffix -F to the pump model number: A130X1-PFCV-F.

If ordering a FloTracker as a stand alone item:

FLT- _ _ _ _ _

Build your model number by selecting one code from each step. Example: FLT-RPVC1

STEP 1 BODY MATERIAL

R Ryton

STEP 2 VALVE MATERIAL

P Polypropylene

K Kynar

V PVC

STEP 3 SEAT MATERIAL

V Viton

F Teflon

H Hypalon

STEP 4 CHECK BALL

C Ceramic

S Stainless

STEP 5 CONNECTIONS

1 3/8" Tubing Standard - 75, 110, 150 psi

2 1/4" Tubing Standard - 250 psi

P 1/4" MNPT Connections

NOTE: All units are shipped containing one pump adapter and both the 3/8" and 1/4" tubing adapters for easy installation. Advantage Controls offers a complete line of water treatment controls and feed equipment. We look forward to helping you *Get the Advantage* on all of your water treatment

Specifications

Power

- **Input:** 4.5 to 24 VDC
- **Output:** Open collector; (20mA max)
3.0 mL / pulse

Environment

- **Temperature:** 32 to 132°F (0-55°C)
- **Pressure:** 220 psi (14 Kg/cm²)
- **Flow:** 55 GPD
- **Viscosity:** 1 to 50 cps

Operational

- **Repeat Accuracy:** +/- 1%
- **LED:** Green on with power
Red on each pulse

Note: Back pressure, temperature, flow rate and chemical properties may affect individual installation specifics.

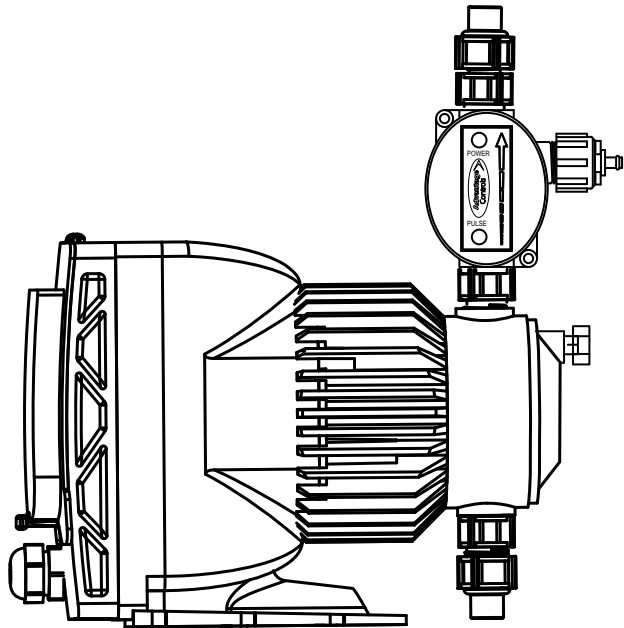
Each individual FloTracker will provide a pulse output that is in a range of 3.0 to 3.5 mL per pulse. Once an individual FloTracker's precise output is determined the repeat accuracy will be +/- 1%

Dimensions

5.3 x 3.3 x 1.6 in (136 x 84 x 39 mm)

Weight

- **1 lb** Shipping weight



Get the Advantage
from: www.TheWaterTreatmentStore.com



4700 Harold Abitz Dr
Muskogee, OK 74403
800-743-7431 phone
888-686-6212 fax
www.advantagecontrols.com