

## PUMP HEAD VOLUME OUTPUTS

MAXIMUM FULL STROKE OUTPUT PER PUMP HEAD SIZE AT VARIOUS STROKE RATES

VALUES BASED ON VISCOSITY OF WATER

STROKE SETTING IS ADJUSTABLE FROM 0 TO 100%

MINIMUM RECOMMENDED STROKE SETTING IS 20% OF MAXIMUM

<b>1/4" DIA PISTON 1000 PSI MAX</b>			
<b>STROKE RATE</b>	<b>FULL STROKE OUTPUT</b>		
	<b>ML/MIN</b>	<b>GPH</b>	<b>GPD</b>
<b>01</b>	1	0.015	0.36
<b>06</b>	6	0.1	2.4
<b>12</b>	12	0.2	4.8
<b>18</b>	18	0.3	7.2
<b>30</b>	30	0.5	12
<b>60</b>	60	1	24

<b>1" DIA PISTON 500 PSI MAX*</b>			
<b>STROKE RATE</b>	<b>FULL STROKE OUTPUT</b>		
	<b>ML/MIN</b>	<b>GPH</b>	<b>GPD</b>
<b>01</b>	15	0.25	6
<b>06</b>	90	1.5	36
<b>12</b>	180	3	72
<b>18</b>	270	4	96
<b>30</b>	450	7	168
<b>60</b>	900	14	336

<b>3/8" DIA PISTON 1000 PSI MAX</b>			
<b>STROKE RATE</b>	<b>FULL STROKE OUTPUT</b>		
	<b>ML/MIN</b>	<b>GPH</b>	<b>GPD</b>
<b>01</b>	1.66	0.026	0.62
<b>06</b>	10	0.16	3.8
<b>12</b>	20	0.32	7.6
<b>18</b>	30	0.48	11.5
<b>30</b>	50	0.8	19.2
<b>60</b>	100	1.6	38.4

<b>1 1/2" DIA PISTON 100 PSI MAX</b>			
<b>STROKE RATE</b>	<b>FULL STROKE OUTPUT</b>		
	<b>ML/MIN</b>	<b>GPH</b>	<b>GPD</b>
<b>01</b>	30	0.5	12
<b>06</b>	180	3	72
<b>12</b>	360	6	144
<b>18</b>	540	9	216
<b>30</b>	900	15	360
<b>60</b>	1800	30	720

<b>1/2" DIA PISTON 1000 PSI MAX</b>			
<b>STROKE RATE</b>	<b>FULL STROKE OUTPUT</b>		
	<b>ML/MIN</b>	<b>GPH</b>	<b>GPD</b>
<b>01</b>	3	0.05	1.2
<b>06</b>	18	0.3	7.2
<b>12</b>	36	0.6	14.4
<b>18</b>	54	0.9	21.6
<b>30</b>	94	1.5	36
<b>60</b>	188	3	72

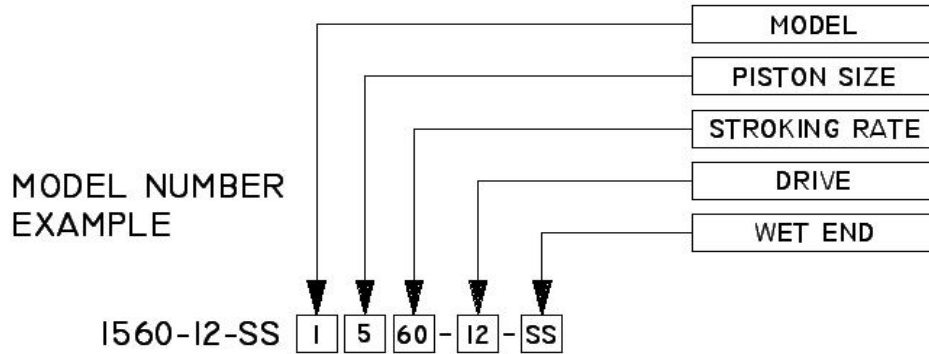
<b>2" DIA PISTON 100 PSI MAX</b>			
<b>STROKE RATE</b>	<b>FULL STROKE OUTPUT</b>		
	<b>ML/MIN</b>	<b>GPH</b>	<b>GPD</b>
<b>01</b>	60	1	24
<b>06</b>	360	6	144
<b>12</b>	720	12	288
<b>18</b>	1080	18	432
<b>30</b>	1800	30	720
<b>60</b>	3600	60	1440

<b>5/8" DIA PISTON 1000 PSI MAX*</b>			
<b>STROKE RATE</b>	<b>FULL STROKE OUTPUT</b>		
	<b>ML/MIN</b>	<b>GPH</b>	<b>GPD</b>
<b>01</b>	6	0.1	2.4
<b>06</b>	36	0.6	14.4
<b>12</b>	72	1.2	28.8
<b>18</b>	108	1.8	43.2
<b>30</b>	180	3	72
<b>60</b>	360	6	144

<b>V-6 &amp; V-7 MINI-PUMP 100 PSI MAX</b>			
<b>STROKE RATE</b>	<b>FULL STROKE OUTPUT</b>		
	<b>ML/MIN</b>	<b>GPH</b>	<b>GPD</b>
<b>2</b>	2.5	0.04	1
<b>6</b>	8	0.12	3
<b>12</b>	15	0.25	6
<b>30</b>	63	1	24
<b>60</b>	126	2	48

\* 100 PSI MAX FOR A PLASTIC DIAPHRAGM HEAD

# PISTON PUMPS



## V-10 PISTON PUMP (56C FLANGE DRIVE)

MODEL		
1	SIMPLEX	SINGLE DRIVE TO ONE PUMP HEAD
2	DUPLEX	SINGLE DRIVE TO TWO PUMP HEADS
3	TRIPLEX	SINGLE DRIVE TO THREE PUMP HEADS
4	QUAD	SINGLE DRIVE TO FOUR PUMP HEADS

BASIC V-10 PUMP LIST PRICE-INCLUDES #12 MOTOR OPTION					
PISTON SIZE		SIMPLEX	DUPLEX	TRIPLEX*	QUAD*
2	1/4" DIA				
3	3/8" DIA				
4	1/2" DIA				
5	5/8" DIA				
7	1 1/2" DIA			NA	NA
8	1" DIA				
9	2" DIA			NA	NA

\* PRICE INCLUDES #12V MOTOR OPTION

STROKING RATE		LIST ADDER
60	SIXTY STROKES PER MINUTE	
30	THIRTY STROKES PER MINUTE	
18	EIGHTEEN STROKES PER MINUTE	
12	TWELVE STROKES PER MINUTE	
06	SIX STROKES PER MINUTE	
01	ONE STROKE PER MINUTE	

DRIVE		LIST ADDER
00	PUMP ONLY (NO DRIVE OR BASE PLATE)	
0FM	LESS MOTOR (FLANGE MOUNT)**	
12	1/3HP 120/240VAC TEFC 60HZ 1PH	
12V	1/2HP 120/240VAC TEFC 60HZ 1PH	
13	1/2HP 120/240VAC EPFC 60HZ 1PH	
14	1/4HP 90VDC TEFC PERMANENT MAGNET	
14V	1/2HP 90VDC TEFC PERMANENT MAGNET	
15	1/3HP 240/480VAC TEFC 60HZ 3PH	
15V	1/2HP 240/480VAC TEFC 60HZ 3PH	
16	1/2HP 240/480VAC EPFC 60HZ 3PH	
17	1/3HP 575VAC TEFC 60HZ 3PH	
18	1/2HP 115/230VAC TEFC 50/60HZ 1PH	
19	1/2HP 230/460VAC TENV INVERTER DUTY	
20	1/2HP 115/230VAC TEFC SEVERE DUTY	

\*\* FLANGE MOUNT PUMPS LESS MOTOR ARE AVAILABLE FOR MOUNTING YOUR OWN 56C FRAME 1750 RPM MOTOR  
VERTICAL MOTOR MOUNT OPTION AVAILABLE ON 18-30-60 RPM V-10 PUMPS

		LIST ADDER PER HEAD		
WET END		1/4" - 5/8"	1"	1/1/2" - 2"
BLANK	CARBON STEEL			
SS	303 SS			
S6	316 SS			
C20	ALLOY 20			
HC	ALLOY 276		NA	NA

TENV	TOTALLY ENCLOSED NON-VENTILATED
TEFC	TOTALLY ENCLOSED FAN COOLED
EPFC	EXPLOSION PROOF FAN COOLED

## V-5 PISTON PUMP (COUPLING DRIVE)

MODEL		
1	SIMPLEX	SINGLE DRIVE TO ONE PUMP HEAD
2	DUPLEX	SINGLE DRIVE TO TWO PUMP HEADS
3	TRIPLEX	SINGLE DRIVE TO THREE PUMP HEADS
4	QUAD	SINGLE DRIVE TO FOUR PUMP HEADS

BASIC V-5 PUMP LIST PRICE-INCLUDES #8 MOTOR OPTION					
PISTON SIZE		SIMPLEX	DUPLEX	TRIPLEX	QUAD
2	1/4" DIA				
3	3/8" DIA				
4	1/2" DIA				
5	5/8" DIA				
7	1 1/2" DIA			NA	NA
8	1" DIA				
9	2" DIA			NA	NA

STROKING RATE		LIST ADDER
60	SIXTY STROKES PER MINUTE	
30	THIRTY STROKES PER MINUTE	
18	EIGHTEEN STROKES PER MINUTE	

DRIVE		LIST ADDER
0CD	LESS MOTOR (COUPLING DRIVE)***	
3	1/2HP 120/240VAC EPFC 60HZ 1PH	
4	1/2HP 90VDC TEFC PERMANENT MAGNET	
6	1/2HP 240/480VAC EPFC 60HZ 3PH	
7	1/2HP 240/480VAC TEFC 60HZ 3PH	
8	1/2HP 120/240VAC TEFC 60HZ 1PH	

\*\*\* COUPLING DRIVE PUMPS LESS MOTOR ARE AVAILABLE FOR MOUNTING YOUR OWN 56 FRAME 1750 RPM 1/2 HP MOTOR WITH FOOT MOUNT BASE

		LIST ADDER PER HEAD		
WET END		1/4" - 5/8"	1"	1/1/2" - 2"
BLANK	CARBON STEEL			
SS	303 SS			
S6	316 SS			
C20	ALLOY 20			
HC	ALLOY 276		NA	NA

## V-7 PISTON PUMP

MODEL		LIST PRICE
V-7-2	TWO STROKES PER MINUTE	
V-7-6	SIX STROKES PER MINUTE	
V-7-12	TWELVE STROKES PER MINUTE	
V-7-30	THIRTY STROKES PER MINUTE	
V-7-60	SIXTY STROKES PER MINUTE	

V-7 MODELS ARE ONLY AVAILABLE WITH CAST IRON BODY, STAINLESS STEEL PISTON AND CHECK VALVES, AND A 1/12TH HP 120 VAC TEFC 1 PH 60 HZ GEAR MOTOR

# TANKS

## POLYETHYLENE

CAPACITY GALLONS	WALL THK	DIMENSIONS				TANK & LID		TANK & LID ON STAND	
		A	B	C	D	PART NUMBER	LIST PRICE	PART NUMBER	LIST PRICE
30	1/8"	18"	30"	12"	49"	030		103	
50	1/8"	22"	34"	17"	60"	050		305	
100	1/4"	28"	42"	18"	70"	0100		310	
150	1/4"	36"	36"	18"	66"	0150		315	
200	1/4"	36"	48"	20"	78"	0200		320	
300	1/4"	51"	36"	20"	66"	0300		330	
400	1/4"	51"	48"	20"	78"	0400		340	
500	5/16"	51"	60"	20"	90"	0500		350	

POLY TANK AND STANDS ARE SUPPLIED WITH A REMOVABLE LID, TWO PVC BALL VALVES INSTALLED IN THE BOTTOM, AND A CARBON STEEL PIPING ASSEMBLY FOR ONE PUMP HEAD (AN ALL PLASTIC PIPING ASSEMBLY IS OPTIONAL). 50 AND 100 GALLON TANK STANDS HAVE 3 LEGS, ALL OTHERS HAVE 4 LEGS. ONLY THE 50 GALLON TANK STAND HAS THE UPPER SUPPORT RING. THE CARBON STEEL SUPPORT STAND IS PAINTED GRAY ENAMEL.

## OVERPACK (STEEL SHELL W/POLY LINER) VISUAL SLIT & REMOVABLE LID ARE STANDARD

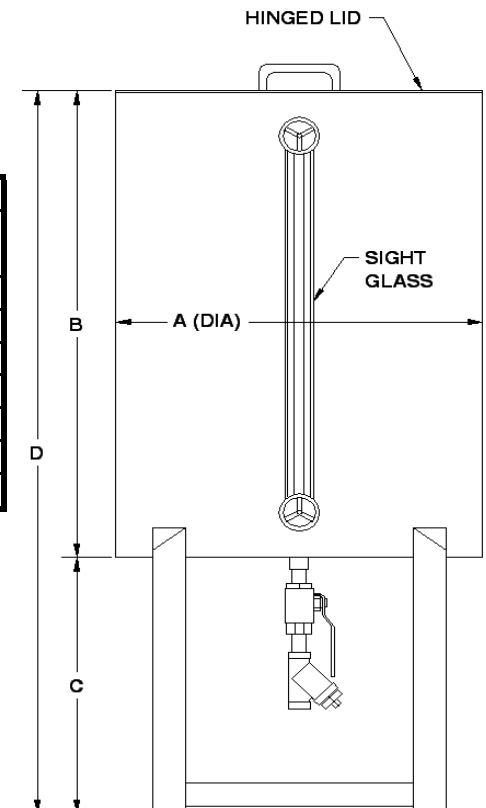
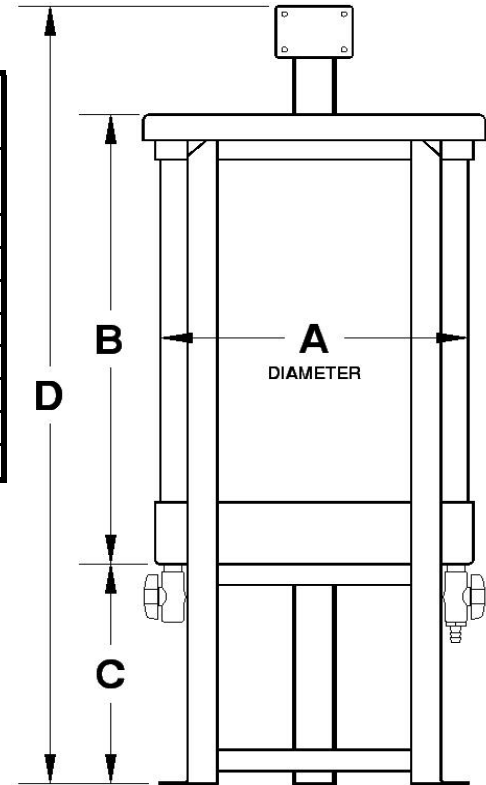
CAPACITY GALLONS	GA SHELL	DIMENSIONS				PART NUMBER	LIST PRICE
		A	B	C	D		
50	18	22"	34"	17"	60"	405	

## STEEL & STAINLESS STEEL

CAPACITY GALLONS	GA THK	DIMENSIONS				CARBON STEEL		304 STAINLESS	
		A	B	C	D	PART NUMBER	LIST PRICE	PART NUMBER	LIST PRICE
50	10	23"	31"	17"	48"	205		605	
100	10	36"	31"	20"	51"	210		610	
150	10	36"	36"	20"	56"	215		615	
200	10	36"	48"	20"	68"	220		620	
250	10	36"	60"	20"	80"	225		625	
300	10	46"	48"	20"	68"	230		630	
500	10	46"	72"	18"	90"	250		650	

STEEL AND STAINLESS STEEL TANKS ARE SUPPLIED WITH A HALF HINGED LID, CARBON STEEL VALVE & STRAINER, CARBON STEEL SUPPORT LEGS & BRASS GAUGE GLASS VALVES. SS VALVE, STRAINER, GAUGE GLASS VALVES, & SUPPORT LEGS ARE OPTIONAL ITEMS. TANKS ARE PAINTED GRAY ENAMEL.

ONE OR TWO PUMPS CAN BE MOUNTED AND PIPED UNDER A SINGLE TANK. IF THREE OR MORE PUMPS ARE REQUIRED, ALL PUMPS WOULD BE MOUNTED AND PIPED ON A RAISED SIDE PLATFORM.

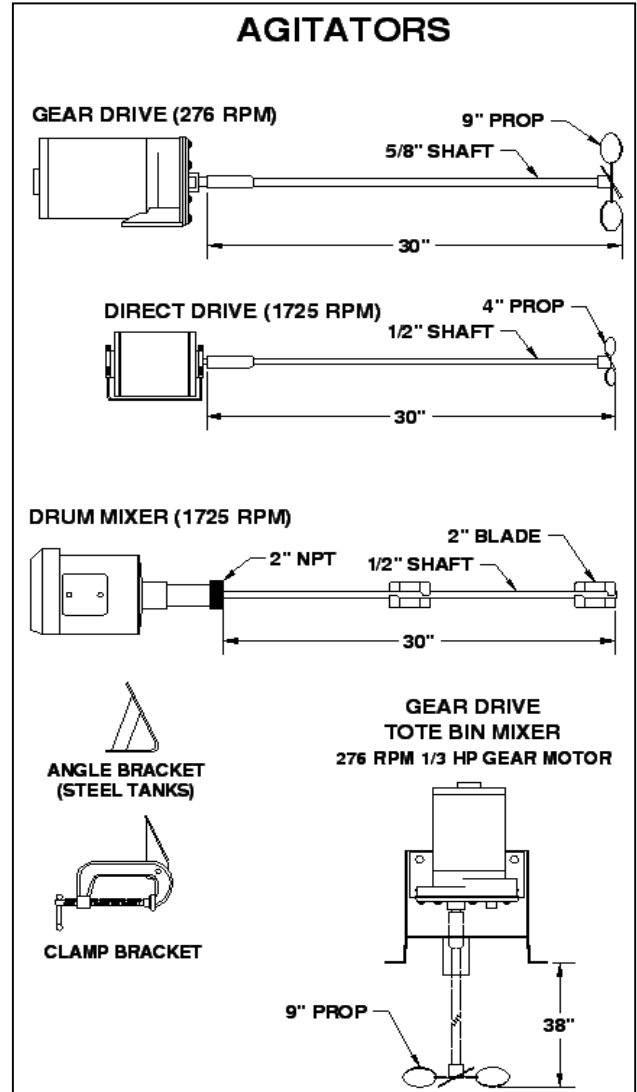


## TANK ACCESSORIES

PART NUMBER		AGITATORS				PROP DIA	LIST PRICE
ANGLE MT	CLAMP MT	VAC/60 HZ	FRAME	HP	RPM		
612	611	120 1PH	TENV	1/4	1725	4"	
712	711	120/240 1PH	EPFC	1/4	1725	4"	
012	011	230/460 3PH	EPFC	1/4	1725	4"	
912	911	230/460 3PH	TENV	1/4	1725	4"	
422	421	120 1PH	TEFC	1/3	276	9"	
522	521	230/460 3PH	TEFC	1/3	276	9"	
<b>613 (DRUM MIXER)</b>		120 1PH	TEFC	1/3	1725	2"	
<b>422 TBM</b>		120 1PH	TEFC	1/3	276	9"	

PART #	AGITATOR ACCESSORIES DESCRIPTION	LIST PRICE
<b>AG DD30</b>	1/2" X 30" SS SHAFT W/4" PROP	
<b>AG GD30</b>	5/8" X 30" SS SHAFT W/9" PROP	
<b>#16</b>	HALAR COATING ON SHAFT & PROP	
<b>H134</b>	REPLACEMENT MOTOR FOR #612 OR #611	
<b>K151</b>	REPLACEMENT MOTOR FOR #912 OR #911	
<b>AG-4</b>	SS 4" PROP W/SET SCREW & 1/2" BORE	
<b>AG-9</b>	SS 9" PROP W/SET SCREW & 5/8" BORE	

PART #	MISC TANK ACCESSORIES DESCRIPTION	LIST PRICE
<b>030-1</b>	REPLACEMENT 30 GALLON POLY LID	
<b>050-1</b>	REPLACEMENT 50 GALLON POLY LID	
<b>0100-1</b>	REPLACEMENT 100 GALLON POLY LID	
<b>10A</b>	FLOATING COVER FOR 50 GALLON	
<b>10B</b>	FLOATING COVER FOR 30 GALLON	
<b>10C</b>	FLOATING COVER FOR 100 GALLON	
<b>31A</b>	10A WITH AGITATOR SPOOL	
<b>31B</b>	10B WITH AGITATOR SPOOL	
<b>31C</b>	10C WITH AGITATOR SPOOL	
<b>#12</b>	1/5 CU FT SS DISSOLVING BASKET	
<b>#13</b>	120 VAC LOW LEVEL CUTOFF & ALARM	
<b>20</b>	2 CU FT DISSOLVING BASKET	
<b>050-P-3</b>	1/2" NPT PVC BULKHEAD FITTING	
<b>050-P-4</b>	3/4" NPT PVC BULKHEAD FITTING	
<b>050-P-5</b>	3/4" NPT PVC BALL VALVE FOR TANK DRAIN	
<b>050-P-5R</b>	3/4" NPT PVC BALL VALVE FOR PUMP SUPPLY	
<b>050-P-6</b>	1" NPT PVC BULKHEAD FITTING	
<b>050-P-7</b>	1 1/2" NPT PVC BULKHEAD FITTING	
<b>050-P-8</b>	2" NPT PVC BULKHEAD FITTING	
<b>EP</b>	ADD ON FOR EPOXY PAINTING	
<b>HL</b>	ADD ON FOR SS HINGE ON POLY LIDS	
<b>SP</b>	SIDE MOUNT PLATFORM (PRICED PER PUMP)	
<b>PIPING</b>	ADD ON FOR ADDITIONAL PIPING	
<b>SS PIPING</b>	ADD ON FOR SS PIPING (PER PUMP HEAD)	
<b>SGV</b>	BRASS SIGHT GLASS VALVES (METAL TANKS)	
<b>SS SGV</b>	ADD ON FOR SS SIGHT GLASS VALVES	

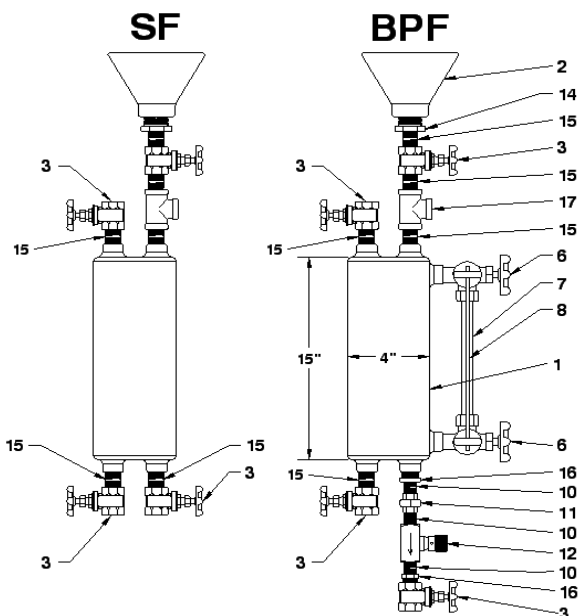


**NOTE** -STANDARD SHAFT LENGTH IS 30"  
-WHEN ORDERING WITH A TANK & STAND THE ANGLE MOUNT IS RECOMMENDED & THE SHAFT IS MADE TO FIT THE TANK DEPTH

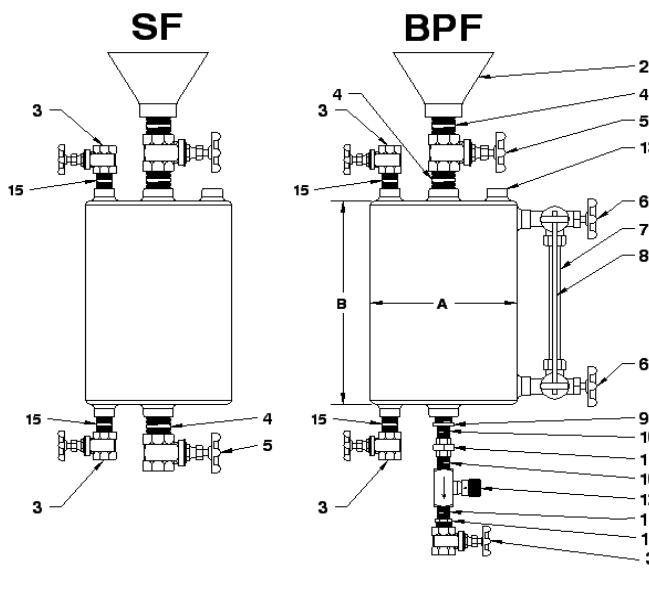
**TENV**-TOTALLY ENCLOSED NON-VENTILATED  
**EPFC**-EXPLOSION PROOF FAN COOLED  
**TEFC**-TOTALLY ENCLOSED FAN COOLED

# FEEDERS

## 3/4 GALLON



## 1 GALLON & LARGER



### ORDERING INFORMATION

#### SF-2-HP

<b>BLANK</b>	125 PSI RATED VALVING
<b>HP</b>	300 PSI RATED VALVING
<b>BO</b>	BODY ONLY

#### GALLON CAPACITY

<b>SF</b>	SHOT FEEDER
<b>BPF</b>	BY-PASS FEEDER

### DIMENSIONS

GALLONS	A	B
1	6"	10"
1 1/2	6"	12"
2	8"	10"
2 1/2	8"	12"
5	10"	15"
10	10"	29"
18	14"	32"
25	18"	28"

### # DESCRIPTION

1	FEEDER BODY
2	POLY FUNNEL
3	1/2" NPT GATE VALVE
4	1" NPT NIPPLE
5	1" NPT GATE VALVE
6	1/2" NPT GAUGE VALVE
7	GAUGE GLASS
8	GLASS GUARDS
9	1" NPT X 3/8" NPT BUSHING
10	3/8" NPT NIPPLE
11	3/8" NPT UNION
12	3/8" NPT NEEDLE VALVE
13	1/2" NPT CONNECTION
14	1" NPT X 1/2" NPT BUSHING
15	1/2" NPT NIPPLE
16	1/2" NPT X 3/8" NPT BUSHING
17	1/2" NPT TEE

5 GALLON AND LARGER FEEDERS HAVE THREE 12" LEGS

125 PSI SHOT FEEDER INCLUDES (1) FEEDER BODY, (2) 1" GATE VALVES, (1) POLY FUNNEL, (2) 1/2" GATE VALVES, (3) 1" NIPPLES, (2) 1/2" NIPPLES

125 PSI BY-PASS FEEDER INCLUDES (1) FEEDER BODY, (1) 1" GATE VALVE, (3) 1/2" GATE VALVES, (1) GAUGE GLASS ASSEMBLY, (1) POLY FUNNEL, (2) 1" NIPPLES, (3) 3/8" NIPPLES, (1) 1" X 3/8" BUSHING, (1) 3/8" UNION, (1) 3/8" NEEDLE VALVE, (2) 1/2" NIPPLES, (1) 1/2" X 3/8" BUSHING

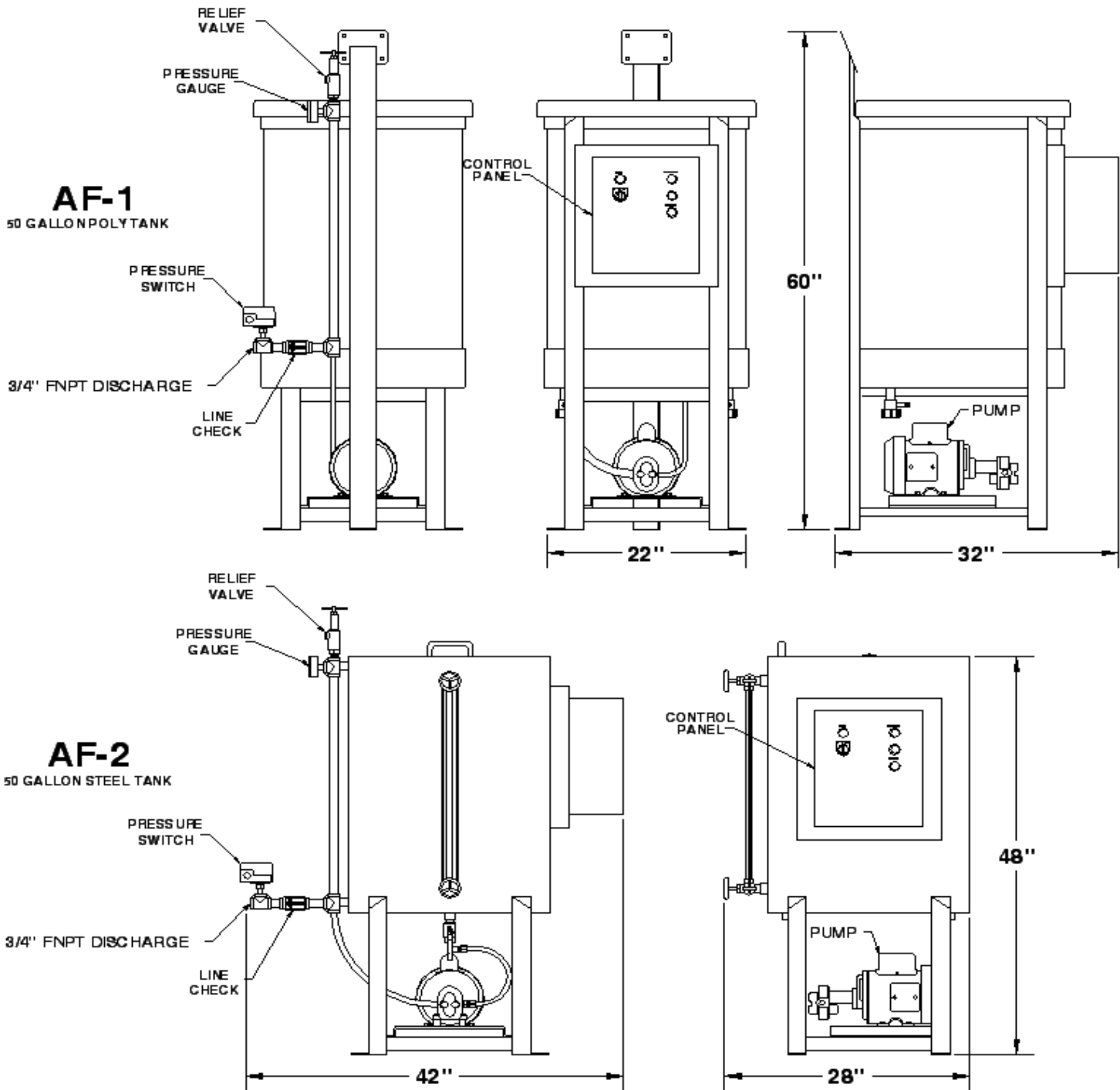
300 PSI SHOT FEEDER INCLUDES (1) FEEDER BODY, (2) 1/2" BALL VALVES, (2) 1/2" NIPPLES, (2) 1" BALL VALVES, (3) 1" NIPPLES, (1) POLY FUNNEL

PART #	LIST PRICE	PART #	LIST PRICE	PART #	LIST PRICE	PART #	LIST PRICE
SF-3/4		BPF-3/4		SF-3/4-BO		SF-3/4-HP	
SF-1		BPF-1		SF-1-BO		SF-1-HP	
SF-1 1/2		BPF-1 1/2		SF-1 1/2-BO		SF-1 1/2-HP	
SF-2		BPF-2		SF-2-BO		SF-2-HP	
SF-2 1/2		BPF-2 1/2		SF-2 1/2-BO		SF-2 1/2-HP	
SF-5		BPF-5		SF-5-BO		SF-5-HP	
SF-10		BPF-10		SF-10-BO		SF-10-HP	
SF-18		BPF-18		SF-18-BO		SF-18-HP	
SF-25		BPF-25		SF-25-BO		SF-25-HP	

POLY FUNNEL ONLY

LIST

# GLYCOL FEED EQUIPMENT



PART #	DESCRIPTION	LIST
GFE-1	3 GPM @60 PSI BRONZE GEAR PUMP W/1/2 HP 120 VAC MOTOR	
GFE-2H	30-50 PSI PRESSURE SWITCH (STANDARD)	
GFE-2L	5-10 PSI PRESSURE SWITCH (OPTIONAL)	
GFE-3	3/4" NPT BRASS LINE CHECK	
GFE-4	3/4" NPT NYLON PRESSURE RELIEF VALVE	
GFE-5	0-100 PSI PRESSURE GAUGE	
GFE-6	GLYCOL DISCHARGE PIPING ASSEMBLY (INCLUDES GFE-2-3-4-5)	
LP1-GLY	CONTROL PANEL W/PUMP H-O-A SWITCH & LOW LEVEL ALARM	
AF-1	ASSEMBLED 50 GALLON POLYETHYLENE GLYCOL PACKAGE	
AF-2	ASSEMBLED 50 GALLON CARBON STEEL GLYCOL PACKAGE	
AF-3	ASSEMBLED 50 GALLON OVERPACK GLYCOL PACKAGE	
AF-4	ASSEMBLED 100 GALLON POLYETHYLENE GLYCOL PACKAGE	

### MISC ACCESSORIES

#### PRESSURE RELIEF VALVES

PART #	DESCRIPTION	LIST
18	1/4" NPT 0-1000 PSI 304SS (FACTORY SET @400 PSI)	
19	1/4" NPT 0-100 PSI POLY (FACTORY SET @100 PSI)	
36	1/2" NPT 0-500 PSI 304SS (FACTORY SET @400 PSI)	
36P	1/2" NPT 0-100 PSI POLY (FACTORY SET @100 PSI)	

#### INJECTION NOZZLES

PART #	DESCRIPTION	LIST
8	1/2" NPT POLYETHYLENE W/DUCKBILL BACK CHECK	
33	1/2" NPT POLYETHYLENE W/CERAMIC BALL BACK CHECK	
17	3/4" NPT CORPSTOP 100 PSI RETRACTABLE PVC STINGER	
17A	3/4" NPT 1000 PSI RETRACTABLE 316SS STINGER	
17B	3/4" NPT CORPSTOP 100 PSI RETRACTABLE 316SS STINGER	
17C	3/4" NPT CORPSTOP 100 PSI RETRACTABLE 304SS STINGER	
26A	1/2" NPT 304SS 1000PSI 3" QUILL	
26B	1/2" NPT 304SS 1000PSI 6" QUILL	
26C	1/2" NPT 316SS 1000PSI 3" QUILL	
26D	1/2" NPT 316SS 1000PSI 6" QUILL	
26E	1/2" NPT ALLOY 20 1000PSI 3" QUILL	
26F	1/2" NPT ALLOY 276 1000PSI 3" QUILL	

SPRING LOADING SS INJECTION NOZZLES IS OPTIONAL

#### INLINE CHECK VALVES

PART #	DESCRIPTION	LIST
22	1/4" NPT 304SS SPRING LOADED (1000 PSI MAX)	
24	1/2" NPT 304SS SPRING LOADED (1000 PSI MAX)	
02DS	3/8" NPT 304SS SPRING LOADED (1000 PSI MAX)	
02DH	3/8" NPT POLYETHYLENE (100 PSI MAX)	
002-19-D	1" NPT 304SS SPRING LOADED (500 PSI MAX)	
002-22P-D	1" NPT POLYETHYLENE (100 PSI MAX)	

#### MISC

PART #	DESCRIPTION	LIST
SV-5	WALL SHELF FOR V-5 OR V-10 PUMP	
TBB	TOTE BIN BRACKET SET FOR V-5 OR V-10 PUMP	
PPE	POLYETHYLENE PROTECTIVE PUMP ENCLOSURE	
SC-1	SAMPLE COOLER (COPPER SHELL & 316SS COIL)	
EDUCTOR	PVC EDUCTOR	
FG-2	TOGGLE SWITCH W/OVERLOAD	
CORD	16/3 TYPE SJT CORD W/MOLDED PLUG (8' LONG)	
PDM-1	PORTABLE DEPOSITION MONITOR	
CCTA-1	COUPON CORROSION TEST ASSEMBLY (PVC KIT)	

#### PLASTIC TUBING (PRICED PER FOOT)

PART #	DESCRIPTION	LIST
1814PT	1/8" X 1/4" POLY TUBING	
1438PT	1/4" X 3/8" POLY TUBING	
3812PT	3/8" X 1/2" POLY TUBING	
1438PVCT	1/4" X 3/8" PVC TUBING	
3812PVCT	3/8" X 1/2" PVC TUBING	
5878PVCT	5/8" X 7/8" PVC TUBING	

#### GRADUATED CYLINDERS

PART #	DESCRIPTION	LIST
GC-100	100ML W/TWO 1/4" PVC VALVES & TEE	
GC-250	250ML W/TWO 1/2" PVC VALVES & TEE	
GC-500	500ML W/TWO 1/2" PVC VALVES & TEE	
GC-1000	1000ML W/TWO 1/2" PVC VALVES & TEE ON SS STAND	
GC-2000	2000ML W/TWO 1" PVC VALVES & TEE ON SS STAND	
GC-4000	4000ML W/TWO 1" PVC VALVES & TEE ON SS STAND	
100GC	100ML CYLINDER ONLY 1/2" NPT CONNECTION	
250GC	250ML CYLINDER ONLY 1/2" NPT CONNECTION	
500GC	500ML CYLINDER ONLY 1/2" NPT CONNECTION	
1000GC	1000ML CYLINDER ONLY 1/2" NPT CONNECTION	
2000GC	2000ML CYLINDER ONLY 1" NPT CONNECTION	
4000GC	4000ML CYLINDER ONLY 1" NPT CONNECTION	

#### ANTI-SIPHON VALVES

PART #	DESCRIPTION	LIST
19-A	3/8" NPT POLYETHYLENE (100 PSI MAX)	
36P-A	1/2" NPT POLYETHYLENE (100 PSI MAX)	

#### FOOT VALVES & DRUM ASSEMBLIES

PART #	DESCRIPTION	LIST
9	1/4" NPT POLYETHYLENE (6 GPH MAX)	
9SS	1/4" NPT 304SS (6 GPH MAX)	
#25	#9 W/TUBING CONNECTORS & 5' POLY TUBING	
DSA	DRUM SUCTION ASSEMBLY	
DLA	DRUM LOW LEVEL ASSEMBLY	
DSL	COMBINED DRUM SUCTION/LOW LEVEL ASSEMBLY	

#### STRAINERS

PART #	DESCRIPTION	LIST
CIS	3/8" NPT CAST IRON "Y" STRAINER W/SS SCREEN	
SLS-3/8	3/8" NPT 316SS "Y" STRAINER W/SS SCREEN	
SLS-1/2	1/2" NPT 316SS "Y" STRAINER W/SS SCREEN	
PLS	1/4" NPT X 5/8" HOSE BARB POLY LINE STRAINER	

## ELECTRICAL ACCESSORIES

### BASIC 120 VAC CONTROL PANELS

PART #	DESCRIPTION	LIST
MP1	14 X 12 X 6 NEMA 12 ENCLOSURE	
	MIXER ON-OFF SWITCH	
	PUMP HAND-OFF-AUTO SWITCH	
	POWER RELAYS FOR MOTORS	
	FUSES & TERMINALS & LIGHTS	
MP2	14 X 12 X 6 NEMA 12 ENCLOSURE	
	MIXER ON-OFF SWITCH	
	TWO PUMP HAND-OFF-AUTO SWITCHES	
	POWER RELAYS FOR MOTORS	
	FUSES & TERMINALS & LIGHTS	
MP3	20 X 16 X 7 NEMA 12 ENCLOSURE	
	MIXER ON-OFF SWITCH	
	THREE PUMP HAND-OFF-AUTO SWITCHES	
	POWER RELAYS FOR MOTORS	
	FUSES & TERMINALS & LIGHTS	
MLP1	14 X 12 X 6 NEMA 12 ENCLOSURE	
	MIXER ON-OFF SWITCH	
	PUMP HAND-OFF-AUTO SWITCH	
	POWER RELAYS FOR MOTORS	
	LOW LEVEL ALARM & CUTOFF CIRCUIT	
MLP2	20 X 16 X 7 NEMA 12 ENCLOSURE	
	MIXER ON-OFF SWITCH	
	TWO PUMP HAND-OFF-AUTO SWITCHES	
	POWER RELAYS FOR MOTORS	
	LOW LEVEL ALARM & CUTOFF CIRCUIT	
MLP3	24 X 20 X 7 NEMA 12 ENCLOSURE	
	MIXER ON-OFF SWITCH	
	THREE PUMP HAND-OFF-AUTO SWITCHES	
	POWER RELAYS FOR MOTORS	
	LOW LEVEL ALARM & CUTOFF CIRCUIT	

CUSTOM CONTROL PANELS ARE ALSO AVAILABLE

## CARLON WATER METERS

### COLD WATER METERS

METER SIZE	NPT IN/OUT	MAX GPM FLOW	GALLONS/CONTACT	MAX TEMP F
5/8"	3/4"	20	10	105
3/4"	3/4"	30	50	105
1"	1"	50	100	105
1 1/2"	1 1/2"	100	100	105
2"	2"	160	100	105

### HOT WATER METERS

METER SIZE	NPT IN/OUT	MAX GPM FLOW	GALLONS/CONTACT	MAX TEMP F
1"	1"	31	100	230
2"	2"	140	100	300

PART #	LIST
STD-621	
STD-075	
STD-100	
STD-150	
STD-200	
H-100	
H-200	

PART #	LIST
EC-621	
EC-075	
EC-100	
EC-150	
EC-200	
HEC-100	
HEC-200	

PART #	LIST
EC-621-T	
EC-075-T	
EC-100-T	
EC-150-T	
EC-200-T	
HEC-100-T	
HEC-200-T	

-PRICING INCLUDES COUPLINGS  
 -MAXIMUM PRESSURE IS 150 PSI  
 -ADD \$ \_\_\_ LIST FOR SECOND TIMER (-2T)

### 90 VDC MOTOR SPEED CONTROLLER

PART #	DESCRIPTION	LIST
DCC	120 VAC SUPPLY VOLTAGE	
	MANUAL-AUTO CONTROL	
	MANUAL SPEED ADJUSTMENT	
	AUTO 4-20 MA FOLLOWER	
	NEMA 4/12	
MC	MOUNT & WIRE DCC TO PUMP	

### 115/230 VAC SPEED CONTROLLERS

PART #	DESCRIPTION	LIST
ACC	USE WITH INVERTER DUTY MOTOR	
	MANUAL-AUTO CONTROL	
	MANUAL SPEED ADJUSTMENT	
	AUTO 4-20 MA FOLLOWER	
MC	MOUNT & WIRE ACC TO PUMP	

### 120 VAC CYCLE TIMERS

PART #	DESCRIPTION	LIST
JW-10	PARAGON 10 MINUTE	
JW-30	PARAGON 30 MINUTE	
JW-60	PARAGON 60 MINUTE	
8001	TORK 24 HOUR	
8007	TORK 7 DAY	
8007V	TORK 14 DAY	
C&R	CORD & RECEPTACLE ADD-ON	

### PORTABLE JAR MIXERS

PART #	DESCRIPTION	LIST
JM-2	TWO STATION 120 VAC 60 HZ	
JM-4	FOUR STATION 120 VAC 60 HZ	
JM-6	SIX STATION 120 VAC 60 HZ	
BEAKER	1000 ML REPLACEMENT BEAKER	
PIPET	10 ML REPLACEMENT PIPETTE	
JM-2-220	TWO STATION 220 VAC 50/60 HZ	
JM-4-220	FOUR STATION 220 VAC 50/60 HZ	
JM-6-220	SIX STATION 220 VAC 50/60 HZ	

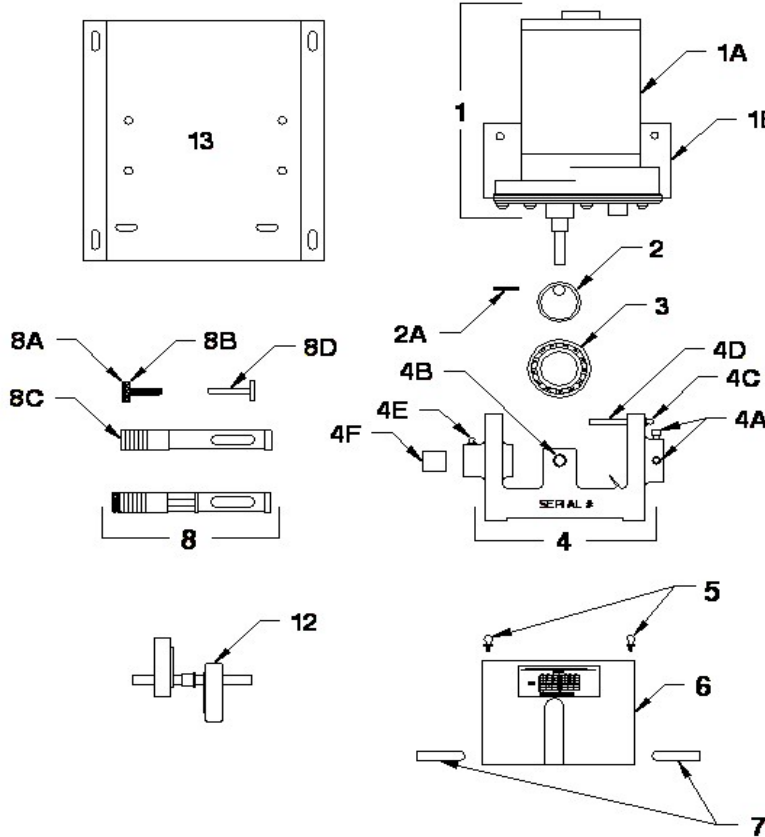
### ORDERING INFORMATION

EC-100-T	BLANK	NO TIMER	MULT-RANGE RESET TIMER
	T	ONE TIMER	10 AMP MAXIMUM LOAD
	2T	TWO TIMERS	EC & HEC METERS ONLY
	621	5/8"	WATER METER SIZE
	075	3/4"	
	100	1"	
	150	1 1/2"	
	200	2"	
STD	COLD WATER TOTALIZING		REGISTER HEAD
EC	COLD ELECTRIC CONTACTING		
H	HOT WATER TOTALIZING		
HEC	HOT ELECTRIC CONTACTING		

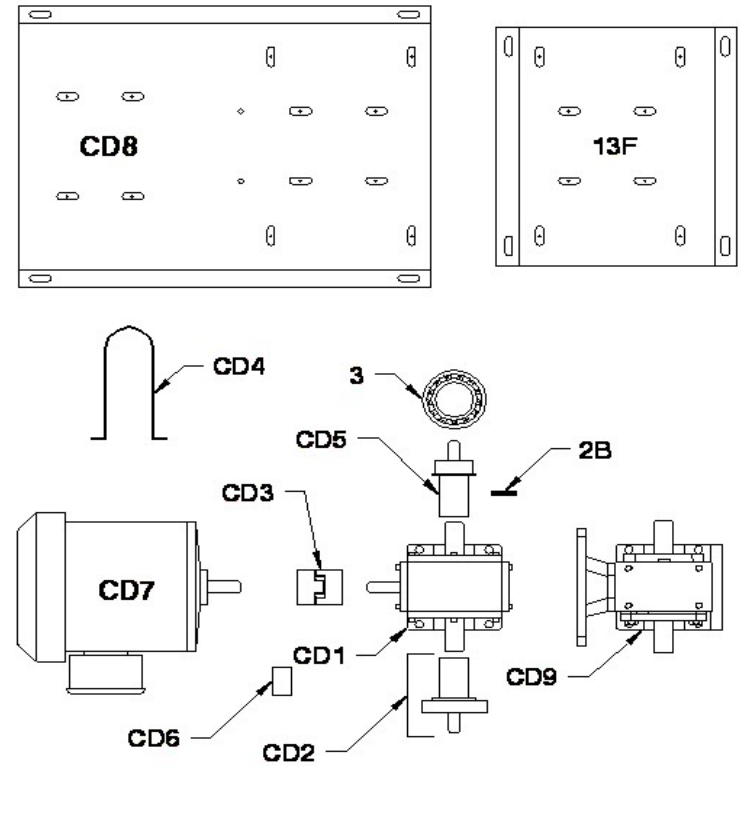


## V-5 & V-10 DRIVE ASSEMBLIES

### V-5 GEAR MOTOR DRIVE



### V-5 COUPLING & V-10 FLANGE DRIVE



ITEM	PART #	DESCRIPTION	LIST
1	5K155A**	12 RPM DRIVE MOTOR & GEAR ASSEMBLY	
	5K156A**	6 RPM DRIVE MOTOR & GEAR ASSEMBLY	
	5K157A**	18 RPM DRIVE MOTOR & GEAR ASSEMBLY	
1A	5K151**	DRIVE MOTOR ONLY FOR GEAR ASSEMBLY	
1B	1B-6	6 RPM DRIVE GEAR ASSEMBLY ONLY	
	1B-12	12 RPM DRIVE GEAR ASSEMBLY ONLY	
	1B-18	18 RPM DRIVE GEAR ASSEMBLY ONLY	
2	1101	DRIVE BEARING SUPPORT CAM	
2A	1101-1	3/16 X 1 ROLLED DRIVE PIN (FOR 1101)	
2B	1101-2	3/16 X 1 1/4 ROLLED DRIVE PIN (FOR 3L09CD)	
3	3L09	SEALED DRIVE BEARING	
4	008-2	RIGHT HAND BASE CASTING (STANDARD)	
	008-2D	INSIDE CASTING ON DUPLEX ASSEMBLY	
	008-2L	LEFT HAND BASE CASTING (V-10 DUPLEX)	
4A	008-4	1/4-20 X 5/8" ALLEN CAP SCREW (2 REQUIRED)	
4B	008-5	5/8" OD X 1/2" ID X 1/2" LONG OILITE BEARING	
	008-6	5/8" OD X .485" ID X 1/2" LONG OILITE BEARING	
4C	006-2	DRIVE BEARING GREASE FITTING	
4D	006-3	GREASE TUBE	
4E	006-2	SLIDE BUSHING GREASE FITTING	
4F	008-10	1 1/8" X 1" X 1" OILITE BEARING (2 REQUIRED)	
5	1102-1	COVER SCREW (2 REQUIRED)	
6	1102	CLEAR PLASTIC COVER (STANDARD)	
	1102-D	CLEAR PLASTIC COVER (LEFT HAND)	
	1102-GC	STAINLESS STEEL GASKETED COVER	
7	1102-2	COVER CLIP (2 REQUIRED)	
8	A-1097-1	SIMPLEX OR DUPLEX SLIDE ASSEMBLY	
8A	1100	SLIDE ADJUSTMENT SCREW	
8B	1099	ADJUSTMENT SCREW LOCKNUT	
8C	A-1097	SIMPLEX OR DUPLEX SLIDE	
8D	1098	SLIDE PIN	
12	009	DUPLEX DRIVE SHAFT ASSEMBLY	
	009-H	HYDRAULIC DUPLEX DRIVE SHAFT ASSEMBLY	
13	BPS	V-5 SIMPLEX BASE PLATE	
	BPD	V-5 DUPLEX BASE PLATE	
13F	FBP	V-10 SIMPLEX & DUPLEX BASE PLATE	

ITEM	PART #	DESCRIPTION	LIST
CD1	192A02-20:1	90 RPM COUPLING DRIVE SPEED REDUCER	
	192A02-25:1	60 RPM COUPLING DRIVE SPEED REDUCER	
	192A02-50:1	30 RPM COUPLING DRIVE SPEED REDUCER	
	192A02-100:1	18 RPM COUPLING DRIVE SPEED REDUCER	
CD2	3L09 CD	DRIVE BEARING ASSEMBLY FOR 7/8" SHAFT	
CD3	L075	5/8" X 5/8" LOVEJOY FLEXIBLE COUPLING SET	
CD4	FCG	COUPLING GUARD	
CD5	VAS-CD	OUTPUT COUPLING & CAM FOR 7/8" SHAFT	
	VAS-CD-D	7/8" X 1/2" COUPLING FOR TRIPLEX OR QUAD	
CD6	MS	MOTOR SPACER (4 REQUIRED)	
CD7	MO-3	1PH 120/240 VAC 60HZ 1/2 HP EPFC 56 FRAME	
	MO-4	90 VDC 1/2 HP TEFC 56/56C FRAME	
	MO-6	3PH 230/460 VAC 60HZ 1/2 HP EPFC 56 FRAME	
	MO-7	3PH 230/460 VAC 60HZ 1/2 HP TEFC 56 FRAME	
	MO-8	1PH 120/240 VAC 60HZ 1/2 HP TEFC 56 FRAME	
	MO-12	1PH 120/240 VAC 60HZ 1/3 HP TEFC 56C FRAME	
	MO-12V	1PH 120/240 VAC 60HZ 1/2 HP TENV INVERTER DUTY 56C FRAME	
	MO-13	1PH 120/230 VAC 60HZ 1/2 HP EPFC 56C FRAME	
	MO-14	90 VDC 1/4 HP TEFC 56C FRAME	
	MO-14V	90 VDC 1/2 HP TEFC 56/56C FRAME	
	MO-15	3PH 230/460 VAC 60HZ 1/3 HP TEFC 56C FRAME	
	MO-15V	3PH 230/460 VAC 60HZ 1/2 HP TEFC 56C FRAME	
	MO-16	3PH 240/480 VAC 60HZ 1/2 HP EPFC 56C FRAME	
	MO-17	3PH 575 VAC 60HZ 1/3 HP TEFC 56C FRAME	
	MO-18	1PH 115/230 VAC 50/60HZ 1/2 HP TEFC 56C FRAME	
	MO-19	3PH 230/460 VAC 1/2 HP TENV INVERTER DUTY 56C	
	MO-20	1PH 120/240 VAC 60HZ 1/2 HP SEVERE DUTY 56C	
CD8	BP-CD	COUPLING DRIVE BASE PLATE	
CD9	FMSR-60	60 RPM 56C FLANGED SPEED REDUCER	
	FMSR-30	30 RPM 56C FLANGED SPEED REDUCER	
	FMSR-18	18 RPM 56C FLANGED SPEED REDUCER	
	FMSR-12	12 RPM 56C FLANGED SPEED REDUCER	
	FMSR-6	6 RPM 56C FLANGED SPEED REDUCER	
	FMSR-1	1 RPM 56C FLANGED SPEED REDUCER	

\*\*

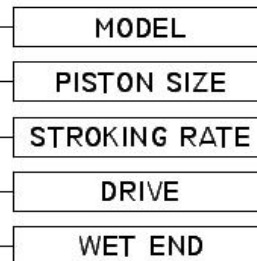
MOTOR SUFFIX	GEAR DRIVE MOTOR OPTIONS (DISCONTINUED V-5)	LIST ADDER
-2	1PH 120 VAC 60HZ 1/4 HP TENV (STANDARD)	
-5	3PH 230/460 VAC 60HZ 1/4 HP TENV	
-9	1PH 120/240 VAC 50/60HZ 1/4 HP TENV	

# DIAPHRAGM PUMPS

MODEL NUMBER  
EXAMPLE

10560-12-SS

10 5 60 - 12 - SS



## V-10-H DIAPHRAGM PUMP (56C FLANGE DRIVE)

## V-5-H DIAPHRAGM PUMP (COUPLING DRIVE)

MODEL		
10	SIMPLEX	SINGLE DRIVE TO ONE PUMP HEAD
20	DUPLEX	SINGLE DRIVE TO TWO PUMP HEADS
30	TRIPLEX	SINGLE DRIVE TO THREE PUMP HEADS
40	QUAD	SINGLE DRIVE TO FOUR PUMP HEADS

MODEL		
10	SIMPLEX	SINGLE DRIVE TO ONE PUMP HEAD
20	DUPLEX	SINGLE DRIVE TO TWO PUMP HEADS
30	TRIPLEX	SINGLE DRIVE TO THREE PUMP HEADS
40	QUAD	SINGLE DRIVE TO FOUR PUMP HEADS

BASIC V-10-H PUMP LIST PRICE-INCLUDES #12 MOTOR OPTION					
PISTON SIZE		SIMPLEX	DUPLEX	TRIPLEX*	QUAD*
5	5/8" DIA				
7	1 1/2" DIA			NA	NA
8	1" DIA				
9	2" DIA			NA	NA

BASIC V-5-H PUMP LIST PRICE-INCLUDES #8 MOTOR OPTION					
PISTON SIZE		SIMPLEX	DUPLEX	TRIPLEX	QUAD
5	5/8" DIA				
7	1 1/2" DIA			NA	NA
8	1" DIA				
9	2" DIA			NA	NA

\* PRICE INCLUDES #12V MOTOR OPTION

STROKING RATE		LIST ADDER
60	SIXTY STROKES PER MINUTE	
30	THIRTY STROKES PER MINUTE	
18	EIGHTEEN STROKES PER MINUTE	
12	TWELVE STROKES PER MINUTE	
06	SIX STROKES PER MINUTE	
01	ONE STROKE PER MINUTE	

STROKING RATE		LIST ADDER
60	SIXTY STROKES PER MINUTE	
30	THIRTY STROKES PER MINUTE	
18	EIGHTEEN STROKES PER MINUTE	

DRIVE		LIST ADDER
00	PUMP ONLY (NO DRIVE OR BASE PLATE)	
0FM	LESS MOTOR (FLANGE MOUNT)**	
12	1/3HP 120/240VAC TEFC 60HZ 1PH	
12V	1/2HP 120/240VAC TEFC 60HZ 1PH	
13	1/2HP 120/240VAC EPFC 60HZ 1PH	
14	1/4HP 90VDC TEFC PERMANENT MAGNET	
14V	1/2HP 90VDC TEFC PERMANENT MAGNET	
15	1/3HP 240/480VAC TEFC 60HZ 3PH	
15V	1/2HP 240/480VAC TEFC 60HZ 3PH	
16	1/2HP 240/480VAC EPFC 60HZ 3PH	
17	1/3HP 575VAC TEFC 60HZ 3PH	
18	1/2HP 115/230VAC TEFC 50/60HZ 1PH	
19	1/2HP 230/460VAC TENV INVERTER DUTY	
20	1/2HP 115/230VAC TENV SEVERE DUTY	

DRIVE		LIST ADDER
0CD	LESS MOTOR (COUPLING DRIVE)***	
3	1/2HP 120/240VAC EPFC 60HZ 1PH	
4	1/2HP 90VDC TEFC PERMANENT MAGNET	
6	1/2HP 240/480VAC EPFC 60HZ 3PH	
7	1/2HP 240/480VAC TEFC 60HZ 3PH	
8	1/2HP 120/240VAC TEFC 60HZ 1PH	

VERTICAL MOTOR MOUNT OPTION AVAILABLE ON 18-30-60 RPM V-10-H PUMPS

WET END		LIST ADDER PER HEAD		
		5/8"	1"	1/1/2"- 2"
BLANK	POLYETHYLENE			
SS	303 SS			
S6	316 SS			
C20	ALLOY 20			NA

WET END		LIST ADDER PER HEAD		
		5/8"	1"	1/1/2"- 2"
BLANK	POLYETHYLENE			
SS	303 SS			
S6	316 SS			
C20	ALLOY 20			NA

## V-6 DIAPHRAGM PUMP

MODEL		LIST PRICE
V-6-2	TWO STROKES PER MINUTE	
V-6-6	SIX STROKES PER MINUTE	
V-6-12	TWELVE STROKES PER MINUTE	
V-6-30	THIRTY STROKES PER MINUTE	
V-6-60	SIXTY STROKES PER MINUTE	

V-6 MODELS ARE ONLY AVAILABLE WITH A 1/12TH HP 120 VAC TEFC 1PH 60 HZ GEAR MOTOR

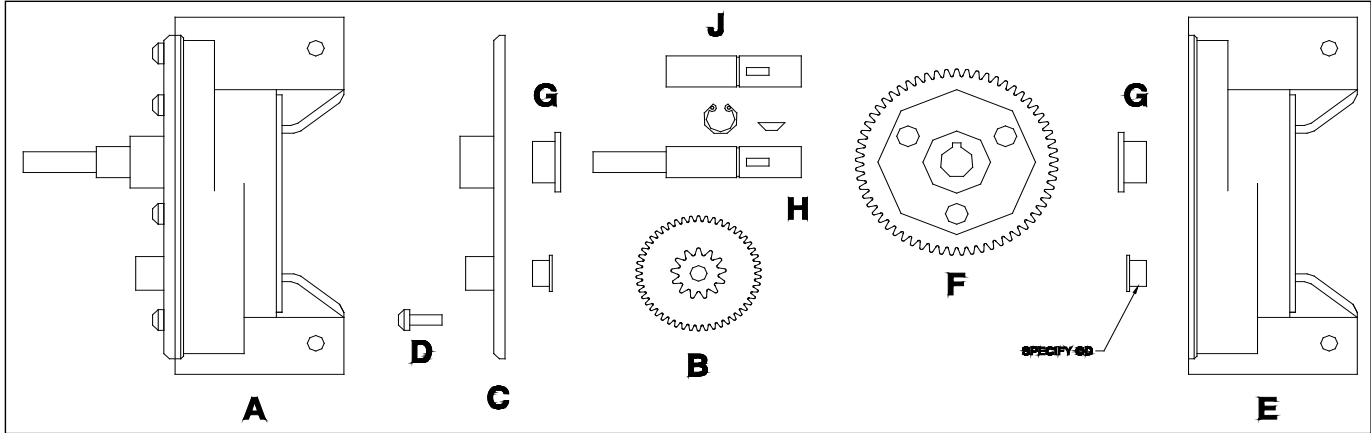
V-6-60 SS		LIST ADDER
V-6 WET END		
BLANK	POLYETHYLENE	
SS	303 STAINLESS	
S6	316 STAINLESS	

\*\* FLANGE MOUNT PUMPS LESS MOTOR ARE AVAILABLE FOR MOUNTING YOUR OWN 56C FRAME 1750 RPM MOTOR

\*\*\* COUPLING DRIVE PUMPS LESS MOTOR ARE AVAILABLE FOR MOUNTING YOUR OWN 56 FRAME 1750 RPM 1/2 HP MOTOR WITH BASE

TENV	TOTALLY ENCLOSED NON-VENTILATED
TEFC	TOTALLY ENCLOSED FAN COOLED
EPFC	EXPLOSION PROOF FAN COOLED

### V-5 DRIVE GEAR ASSEMBLY PARTS

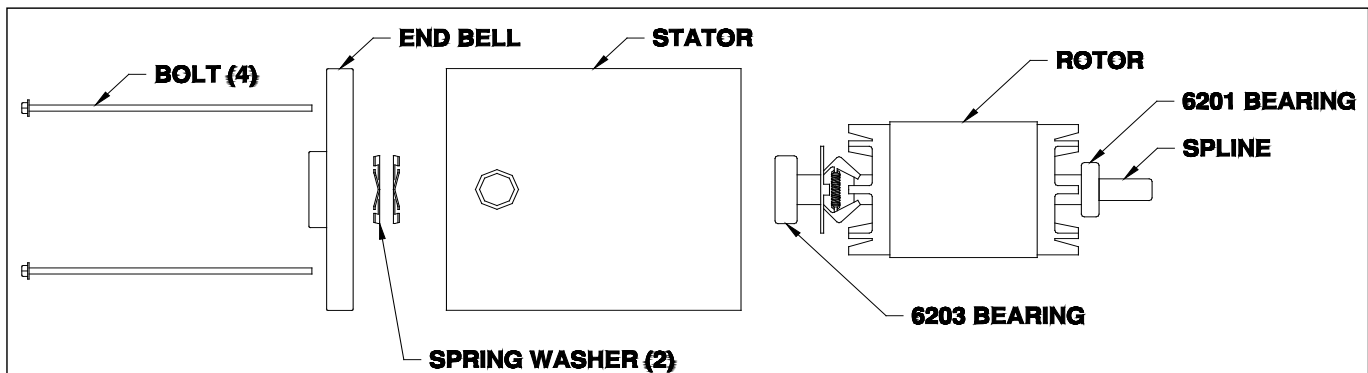


ITEM	PART #	DESCRIPTION	LIST
A	1B-6	6 RPM DRIVE GEAR ASSEMBLY	
	1B-12	12 RPM DRIVE GEAR ASSEMBLY	
	1B-18	18 RPM DRIVE GEAR ASSEMBLY	
	1B-30	30 RPM DRIVE GEAR ASSEMBLY	NA
	1B-60	60 RPM DRIVE GEAR ASSEMBLY	NA
	1B-90	90 RPM DRIVE GEAR ASSEMBLY	NA
	1B-120	120 RPM DRIVE GEAR ASSEMBLY	NA
B	VA461-1	30 RPM INTERMEDIATE GEAR ASSEMBLY	
	VA2894-1	60 RPM INTERMEDIATE GEAR ASSEMBLY	
	VA2893-1	90 RPM INTERMEDIATE GEAR ASSEMBLY	
	VA2895-1	120 RPM INTERMEDIATE GEAR ASSEMBLY	
C	VA789	COVER ASSEMBLY (30-60-90-120 RPM)	NA

ITEM	PART #	DESCRIPTION	LIST
D	VS467	1/4-20 X 3/4" COVER SCREW (7 REQUIRED)	
E	VA3691	CASE ASSEMBLY (30-60-90-120 RPM)	NA
F	VA462-1	30 RPM OUTPUT GEAR	
	VA479-1	60 RPM OUTPUT GEAR	
	VA582-1	90 RPM OUTPUT GEAR	
	VA481-1	120 RPM OUTPUT GEAR	
G	VS458-20	SET OF FOUR BUSHINGS (SPECIFY OD)	
H*	VAS-480	SIMPLEX OUTPUT SHAFT (30-60 RPM)	
	VAS-480-L	SIMPLEX OUTPUT SHAFT (6-12-18 RPM)	
J*	VAS-480-D	DUPLEX OUTPUT SHAFT (30-60 RPM)	
	VAS-480-L-D	DUPLEX OUTPUT SHAFT (6-12-18 RPM)	

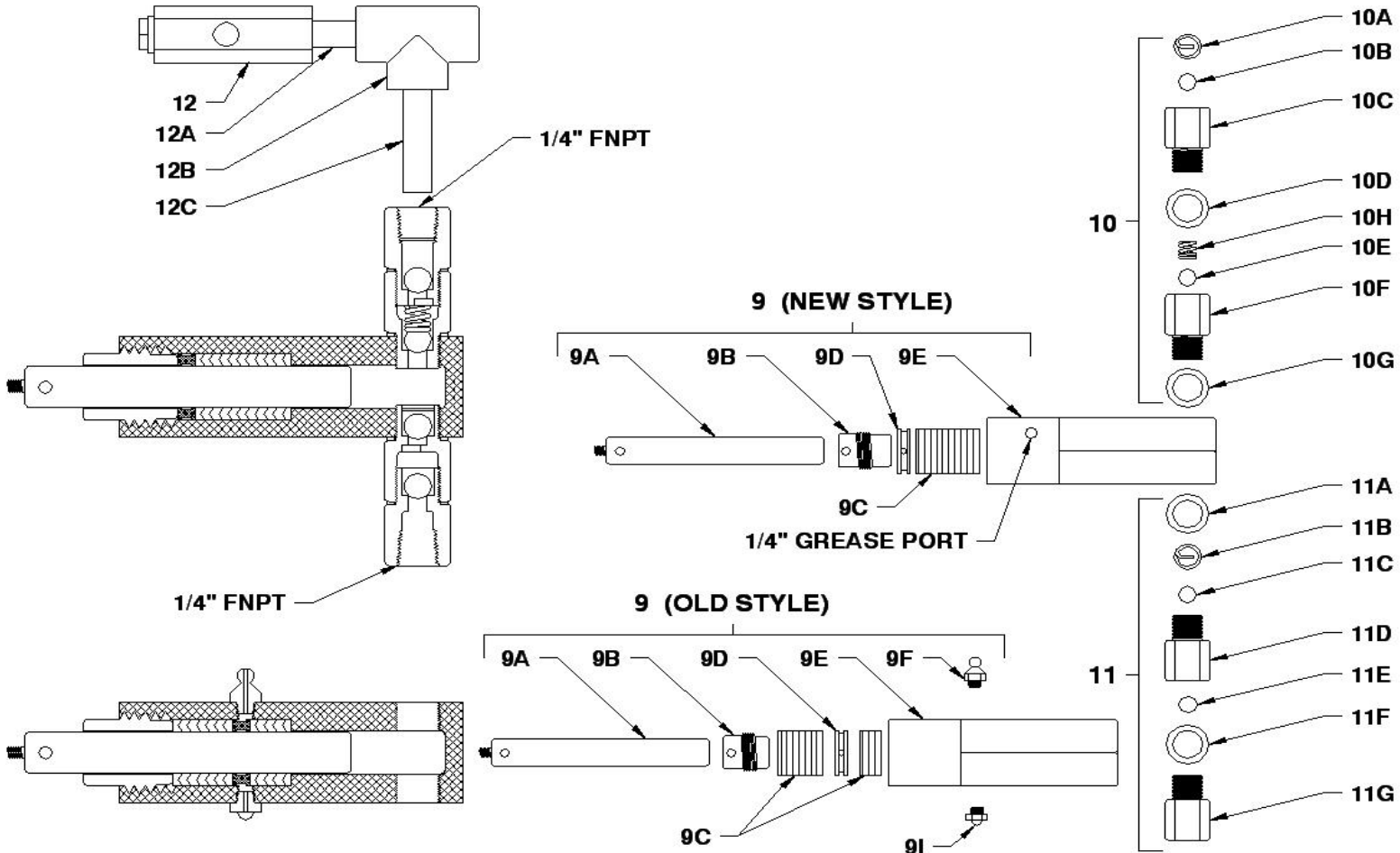
\* INCLUDES SNAP RING & WOODRUFF KEY  
 NA NO LONGER AVAILABLE

### DRIVE MOTOR FOR GEAR HEAD



PART #	DESCRIPTION	LIST
5K151-2	120VAC 1PH 60HZ 1/4HP TENV	
5K151-5	230/460VAC 3PH 60HZ TENV	
5K151-9	120/240VAC 1PH 50/60HZ TENV	
6201	ROTOR BEARING	
6203	ROTOR BEARING	

### 1/4" THRU 5/8" PISTON HEAD PARTS



ITEM	PART #	DESCRIPTION	LIST
9	1000-5	5/8" CS PISTON HEAD ASSEMBLY** (NEW STYLE)	
	1000-4	1/2" CS PISTON HEAD ASSEMBLY** (NEW STYLE)	
	1000-3	3/8" CS PISTON HEAD ASSEMBLY** (NEW STYLE)	
	1000-2	1/4" CS PISTON HEAD ASSEMBLY** (NEW STYLE)	
9A*	007-4	5/8" DIAMETER 303SS PISTON***	
	007-3	1/2" DIAMETER 303SS PISTON***	
	007-2	3/8" DIAMETER 303SS PISTON***	
	007-1	1/4" DIAMETER 303SS PISTON***	
9B	003-6	5/8" PACKING NUT (NEW STYLE)	
	003-1	1/2" PACKING NUT (NEW STYLE)	
	003-2	3/8" PACKING NUT (NEW STYLE)	
	003-4	1/4" PACKING NUT (NEW STYLE)	
9C*	012-4	5/8" PACKING SET (BUNA N)**** (NEW STYLE)	
	012-3	1/2" PACKING SET (BUNA N)**** (NEW STYLE)	
	012-2	3/8" PACKING SET (BUNA N)**** (NEW STYLE)	
	012-1	1/4" PACKING SET (BUNA N)**** (NEW STYLE)	
9D	017-4	1/2" & 5/8" PACKING GLAND	
	017-1	1/4" & 3/8" PACKING GLAND	
9E	001-6	5/8" CS PUMP HEAD SHELL** (NEW STYLE)	
	001-1	1/2" CS PUMP HEAD SHELL** (NEW STYLE)	
	001-2	3/8" CS PUMP HEAD SHELL** (NEW STYLE)	
	001-4	1/4" CS PUMP HEAD SHELL** (NEW STYLE)	
9F	006-1	GREASE FITTING (OLD STYLE HEADS)	
9I	006	GREASE RELIEF FITTING (OLD STYLE HEADS)	

ITEM	PART #	DESCRIPTION	LIST
10*	002-D	303SS DISCHARGE CHECK VALVE ASSEMBLY***	
10A	002-7	BALL RETAINER CLIP	
10B	002-5	3/8" DIAMETER 316SS BALL CHECK	
10C	002-3	TOP DISCHARGE CHECK BODY	
10D*	002-6	NICKEL PLATED COPPER SEAL	
10E	002-5	3/8" DIAMETER 316SS BALL CHECK	
10F	002-2	BOTTOM DISCHARGE CHECK BODY	
10G*	002-6	NICKEL PLATED COPPER SEAL	
10H	002-0	ANTI-SIPHON SPRING (OPTIONAL) ALLOY 276	
11*	002-S	303SS SUCTION CHECK VALVE ASSEMBLY***	
11A*	002-6	NICKEL PLATED COPPER SEAL	
11B	002-7	BALL RETAINER CLIP	
11C	002-5	3/8" DIAMETER 316SS BALL CHECK	
11D	002-1	TOP SUCTION CHECK BODY	
11E	002-5	3/8" DIAMETER 316SS BALL CHECK	
11F*	002-6	NICKEL PLATED COPPER SEAL	
11G	002-4	BOTTOM SUCTION CHECK BODY	
12	18	1/4" NPT 303SS PRESSURE RELIEF VALVE	
12A		1/4" NPT X 1 1/2" BLACK NIPPLE	
12B		1/4" NPT 300# BLACK TEE	
12C		1/4" NPT X 2 1/2" BLACK NIPPLE	

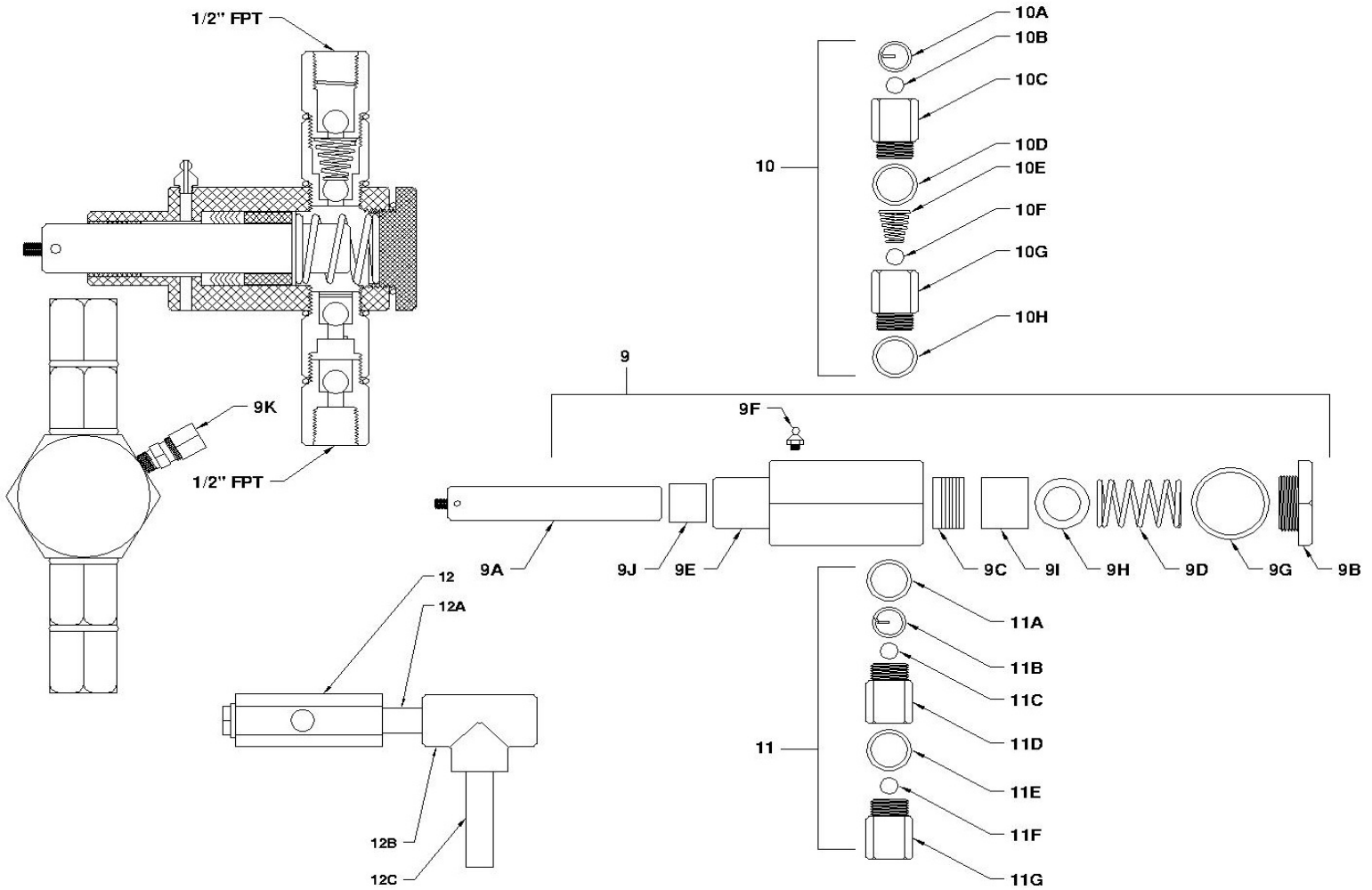
**OPTIONAL MATERIALS**

**	303SS	ADD \$__ LIST
	316SS	ADD \$__ LIST
	C20	ADD \$__ LIST
	HC	ADD \$__ LIST
***	316SS	ADD \$__ LIST
	C20	ADD \$__ LIST
	HC	ADD \$__ LIST
****	TEFLON	ADD \$__ LIST
	VITON	ADD \$__ LIST

**\* RECOMMENDED SPARE PARTS**  
 CS-CARBON STEEL  
 C20-ALLOY 20  
 HC-ALLOY 276

**OLD STYLE HEADS HAD A GREASE FITTING AND GREASE RELIEF FITTING. THE V-10 SERIES HEADS DO NOT HAVE GREASE FITTINGS. THE GREASE FITTING FOR LUBRICATING THE PISTON IS IN THE MAIN PUMP CASTING AND ALIGNS WITH A GREASE PORT IN THE NEW STYLE PUMP HEADS. UNLESS OLD STYLE IS SPECIFIED, ALL ORDERS WILL BE FILLED USING THE NEW STYLE PARTS.**

## 1" PISTON HEAD PARTS



ITEM	PART #	DESCRIPTION	LIST
9	1000-6	1" CS PISTON HEAD ASSEMBLY** (LESS CKS)	
9A*	007-7	1" DIAMETER 303SS PISTON***	
9B	003-7	1" CS END CAP	
9C*	012-7	1" PACKING SET (BUNA N)****	
9D	017-10	1" PACKING SPRING 316SS	
9E	001-7	1" CS PUMP HEAD SHELL**	
9F	006-1	GREASE FITTING	
9G*	017-9	1 7/8" ID X 1/8" CROSS SECTION VITON "O" RING SEAL	
9H	017-8	1" SS PACKING WASHER	
9I	018-3	1" PACKING SPACER	
9J	008-20	1 1/8" X 1" X 3/4" LONG OILITE BUSHING	
9K	017-17-S	316SS PRIMING CHECK VALVE	
10*	002-1"D	1" 303SS DISCHARGE CHECK VALVE ASSEMBLY***	
10A	002-24	1/2" BALL RETAINER CLIP	
10B	002-26	1/2" DIAMETER 316SS BALL CHECK	
10C	002-20	1" TOP DISCHARGE CHECK BODY	
10D	002-25	1" ID X 1/8" CROSS SECTION "O" RING SEAL	

ITEM	PART #	DESCRIPTION	LIST
10E	002-27	ANTI-SIPHON CONE SPRING ALLOY 276	
10F	002-26	1/2" DIAMETER 316SS BALL CHECK	
10G	002-21	1" BOTTOM DISCHARGE CHECK BODY	
10H	002-25	1" ID X 1/8" CROSS SECTION "O" RING SEAL	
11*	002-1"S	1" 303SS SUCTION CHECK VALVE ASSEMBLY***	
11A	002-25	1" ID X 1/8" CROSS SECTION "O" RING SEAL	
11B	002-24	1/2" BALL RETAINER CLIP	
11C	002-26	1/2" DIAMETER 316SS BALL CHECK	
11D	002-22	1" TOP SUCTION CHECK BODY	
11E	002-25	1" ID X 1/8" CROSS SECTION "O" RING SEAL	
11F	002-26	1/2" DIAMETER 316SS BALL CHECK	
11G	002-23	1" BOTTOM SUCTION CHECK BODY	
12	36	1/2" NPT 303SS PRESSURE RELIEF VALVE	
12A		1/2" NPT X 1 1/2" BLACK NIPPLE	
12B		1/2" NPT BLACK TEE	
12C		1/2" NPT X 2 1/2" BLACK NIPPLE	

### \* RECOMMENDED SPARE PARTS

CS-CARBON STEEL  
C20-ALLOY 20

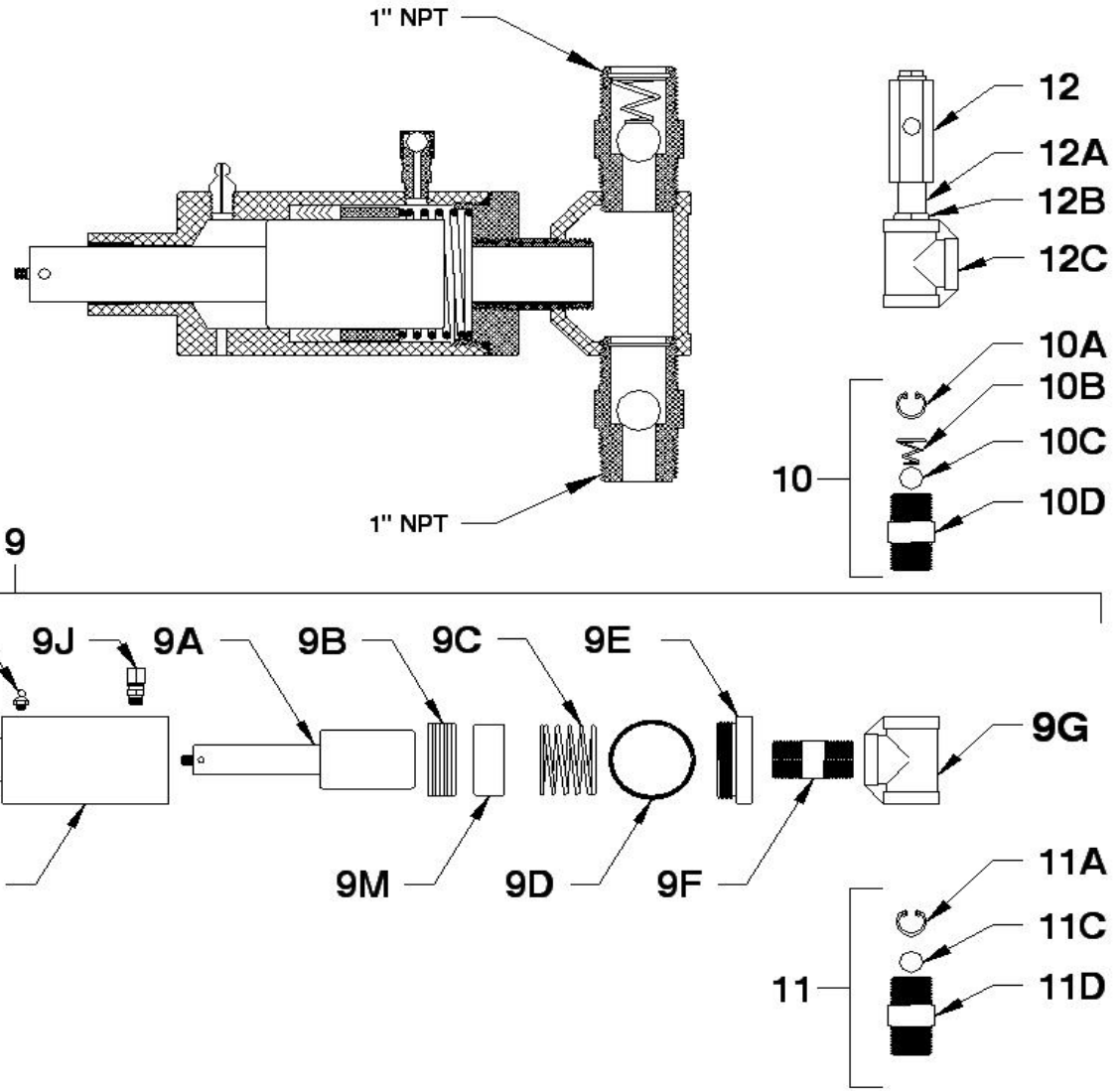
### OPTIONAL MATERIALS

\*\* 303SS ADD \$\_\_ LIST  
316SS ADD \$\_\_ LIST  
C20 ADD \$\_\_ LIST

\*\*\* 316SS ADD \$\_\_ LIST  
C20 ADD \$\_\_ LIST

\*\*\*\* TEFLON ADD \$\_\_ LIST  
VITON ADD \$\_\_ LIST

### 1 1/2" & 2" PISTON HEAD PARTS



ITEM	PART #	DESCRIPTION	LIST
9	1000-7	1 1/2" CS PISTON HEAD ASSEMBLY** W/CKS	
	1000-8	2" CS PISTON HEAD ASSEMBLY** W/CKS	
9A*	007-8	1 1/2" DIAMETER 303SS PISTON***	
	007-9	2" DIAMETER 303SS PISTON***	
9B*	012-8	1 1/2" PACKING SET (BUNA N)*****	
	012-9	2" PACKING SET (BUNA N)*****	
9C	017-20	1 1/2" & 2" PACKING SPRING 316SS	
9D*	017-21	2 1/2"ID X 1/8" CROSS SECTION VITON "O" RING SEAL	
9E	003-20	1 1/2" & 2" CS END CAP****	
9F	002-13	1" NPT X CLOSE BLACK NIPPLE	
	002-13-S	1" NPT X CLOSE 316SS NIPPLE	
9G	002-12	1" NPT BLACK TEE	
	002-12-S	1" NPT 316SS TEE	
9H	006-1	GREASE FITTING	
9J	017-17-S	316SS PRIMING CHECK VALVE	
9K	008-20	1 1/8" X 1" X 3/4" LONG OILITE BUSHING	
9L	001-20	1 1/2" & 2" CS PUMP HEAD SHELL****	
9M	018-1	1 1/2" PACKING SPACER	
	018-2	2" PACKING SPACER	

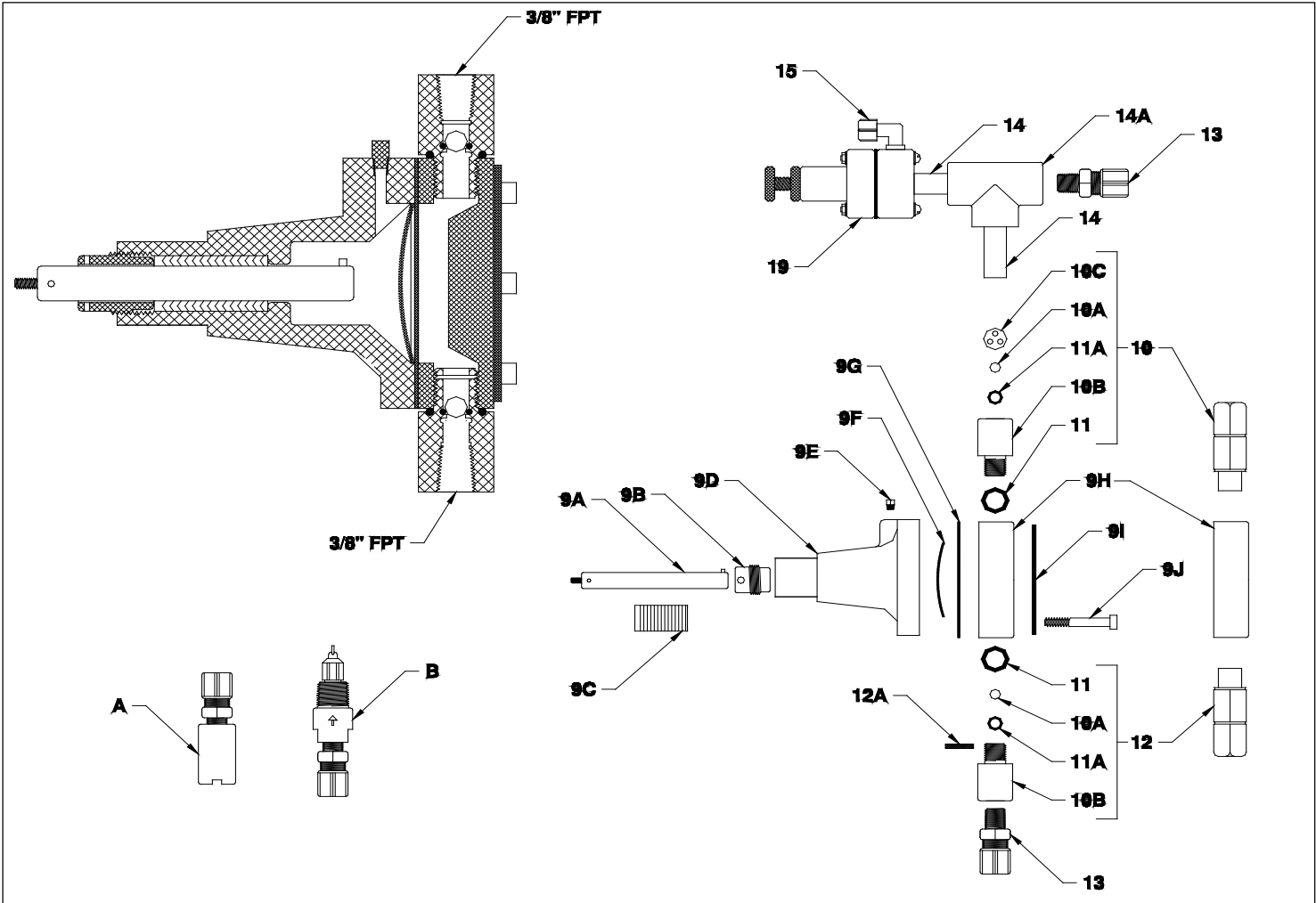
ITEM	PART #	DESCRIPTION	LIST
10*	002-19-D	303SS DISCHARGE CHECK VALVE ASSEMBLY****	
10A	16-SS	SS SNAP RING BALL RETAINER	
10B	002-27	ANTI-SIPHON CONE SPRING ALLOY 276	
10C	002-17	3/4" DIAMETER 316SS BALL CHECK	
10D	002-18	303SS CHECK VALVE BODY***	
11*	002-19-S	303SS SUCTION CHECK VALVE ASSEMBLY****	
11A	16-SS	SS SNAP RING BALL RETAINER	
11C	002-17	3/4" DIAMETER 316SS BALL CHECK	
11D	002-18	303SS CHECK VALVE BODY***	
12	36	1/2" NPT 303SS PRESSURE RELIEF VALVE	
12A		1/2" NPT X 1 1/2" BLACK NIPPLE	
12B		1" NPT X 1/2" NPT BLACK BUSHING	
12C	002-12	1" NPT BLACK TEE	

- OPTIONAL MATERIALS**
- \*\* 303SS    ADD \$\_\_\_ LIST
  - 316SS    ADD \$\_\_\_ LIST
  - C20      ADD \$\_\_\_ LIST
  - \*\*\* 316SS    ADD \$\_\_\_ LIST
  - C20      ADD \$\_\_\_ LIST
  - \*\*\*\* 303SS    ADD \$\_\_\_ LIST
  - 316SS    ADD \$\_\_\_ LIST
  - C20      ADD \$\_\_\_ LIST
  - \*\*\*\*\* TEFLON    ADD \$\_\_\_ LIST
  - VITON     ADD \$\_\_\_ LIST

**\* RECOMMENDED SPARE PARTS**

CS-CARBON STEEL  
C20-ALLOY 20

## 5/8" DIAPHRAGM HEAD PARTS



ITEM	PART #	DESCRIPTION	LIST
9	0100-5	5/8" POLYETHYLENE PUMP HEAD ASSEMBLY W/CHECKS**	
9A	007-H	5/8" DIAMETER 303SS HYDRAULIC PISTON	
9B	003-6	5/8" PACKING NUT	
9C	012-H	5/8" HYDRAULIC PACKING SET (BUNA N)	
9D	001-H	5/8" HYDRAULIC PUMP HEAD SHELL	
9E	0006-2	1/8" PIPE PLUG	
9F	030-H	5/8" & 1" HYDRAULIC PUMP HEAD SCREEN	
9G*	026-H-2	5/8" & 1" HYDRAULIC PUMP HEAD TEFLON DIAPHRAGM (STANDARD)	
	026-H-1	5/8" & 1" HYDRAULIC PUMP HEAD VITON DIAPHRAGM	
	026-H-3	5/8" & 1" HYDRAULIC PUMP HEAD NEOPRENE DIAPHRAGM	
9H	025-H-1	5/8" & 1" POLYETHYLENE PUMP HEAD (STANDARD)	
	025-H-2	5/8" & 1" 303SS HYDRAULIC PUMP HEAD	
	025-H-3	5/8" & 1" PVC HYDRAULIC PUMP HEAD	
	025-H-4	5/8" & 1" 316SS HYDRAULIC PUMP HEAD	
	025-H-5	5/8" & 1" ALLOY 20 HYDRAULIC PUMP HEAD	
9I	029-H	CLAMP PLATE FOR POLYETHYLENE & PVC HEADS	
9J	027-H	HYDRAULIC PUMP HEAD BOLTS (6 REQUIRED)	

ITEM	PART #	DESCRIPTION	LIST
10*	002-DH	POLYETHYLENE DISCHARGE CHECK VALVE ASSEMBLY	
	002-D	303SS DISCHARGE CHECK VALVE ASSEMBLY	
10A	002-9	3/8" DIAMETER CERAMIC BALL CHECK	
10B	002-1H	POLYETHYLENE CHECK VALVE BODY	
10C	002-7H	BALL RETAINER DISC	
11	028-H	3/4" X 1/8" CROSS SECTION VITON "O" RING SEAL	
11A	028-S	VITON "O" RING SEAT	
12*	002-SH	POLYETHYLENE SUCTION CHECK VALVE ASSEMBLY	
	002-S	303SS SUCTION CHECK VALVE ASSEMBLY	
12A	002-8H	BALL RETAINER PIN	
13	38-38	3/8" NPT X 3/8" OD TUBE FITTING	
14	050-P-38	3/8" NPT X 2" PVC NIPPLE	
14A	050-P-16	3/8" NPT PVC TEE	
15	14-14-90	1/4" NPT X 1/4" OD TUBE ELBOW FITTING	
19	19	3/8" NPT POLYETHYLENE PRESSURE RELIEF VALVE	
A	9	1/4" NPT POLYETHYLENE FOOT VALVE	
B	8	1/2" NPT POLYETHYLENE INJECTION NOZZLE	

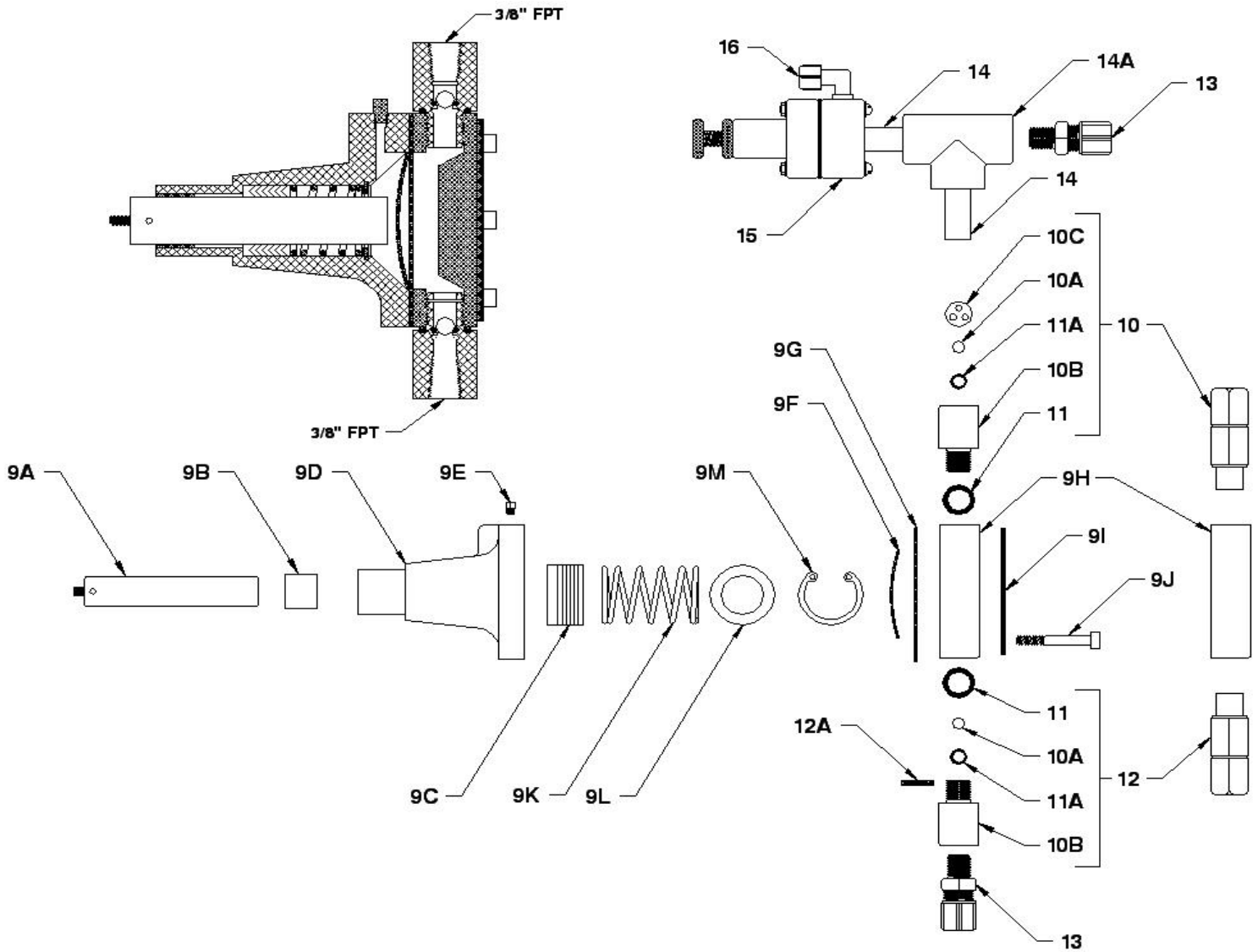
**\* RECOMMENDED SPARE PARTS**

**OPTIONAL MATERIALS**

- \*\* 303SS ADD \$ \_\_\_ LIST
- 316SS ADD \$ \_\_\_ LIST
- C20 ADD \$ \_\_\_ LIST

C20 IS ALLOY 20

## 1" DIAPHRAGM HEAD PARTS



ITEM	PART #	DESCRIPTION	LIST
9	0100-6	1" POLYETHYLENE PUMP HEAD ASSEMBLY W/CHECKS**	
9A	007-7H	1" DIAMETER HYDRAULIC PISTON	
9B	008-20	1 1/8" X 1" X 3/4" LONG OILITE BUSHING	
9C	012-7H	1" HYDRAULIC PACKING SET (BUNA N)	
9D	001-1H	1" HYDRAULIC PUMP HEAD SHELL	
9E	0006-2	1/8" PIPE PLUG	
9F	030-H	5/8" & 1" HYDRAULIC PUMP HEAD SCREEN	
9G*	026-H-2	5/8" & 1" HYDRAULIC PUMP HEAD TEFLON DIAPHRAGM (STANDARD)	
	026-H-1	5/8" & 1" HYDRAULIC PUMP HEAD VITON DIAPHRAGM	
	026-H-3	5/8" & 1" HYDRAULIC PUMP HEAD NEOPRENE DIAPHRAGM	
9H	025-H-1	5/8" & 1" POLYETHYLENE PUMP HEAD (STANDARD)	
	025-H-2	5/8" & 1" 303SS HYDRAULIC PUMP HEAD	
	025-H-3	5/8" & 1" PVC HYDRAULIC PUMP HEAD	
	025-H-4	5/8" & 1" 316SS HYDRAULIC PUMP HEAD	
	025-H-5	5/8" & 1" ALLOY 20 HYDRAULIC PUMP HEAD	
9I	029-H	CLAMP PLATE FOR POLYETHYLENE & PVC HEADS	
9J	027-H	HYDRAULIC PUMP HEAD BOLTS (6 REQUIRED)	
9K	017-10	1" PACKING SPRING	
9L	017-8	1" SS PACKING WASHER	
9M	015	SNAP RING	

ITEM	PART #	DESCRIPTION	LIST
10*	002-DH	POLYETHYLENE DISCHARGE CHECK VALVE ASSEMBLY	
	002-D	303SS DISCHARGE CHECK VALVE ASSEMBLY	
10A	002-9	3/8" DIAMETER CERAMIC BALL CHECK	
10B	002-1H	POLYETHYLENE CHECK VALVE BODY	
10C	002-7H	BALL RETAINER DISC	
11	028-H	3/4" X 1/8" CROSS SECTION VITON "O" RING SEAL	
11A	028-S	VITON "O" RING SEAT	
12*	002-SH	POLYETHYLENE SUCTION CHECK VALVE ASSEMBLY	
	002-S	303SS SUCTION CHECK VALVE ASSEMBLY	
12A	002-8H	BALL RETAINER PIN	
13	38-38	3/8" NPT X 3/8" OD TUBE FITTING	
14	050-P-38	3/8" NPT X 2" PVC NIPPLE	
14A	050-P-16	3/8" NPT PVC TEE	
15	36P	1/2" NPT POLYETHYLENE PRESSURE RELIEF VALVE	
16	38-38-90	3/8" NPT x 3/8" OD TUBE ELBOW FITTING	

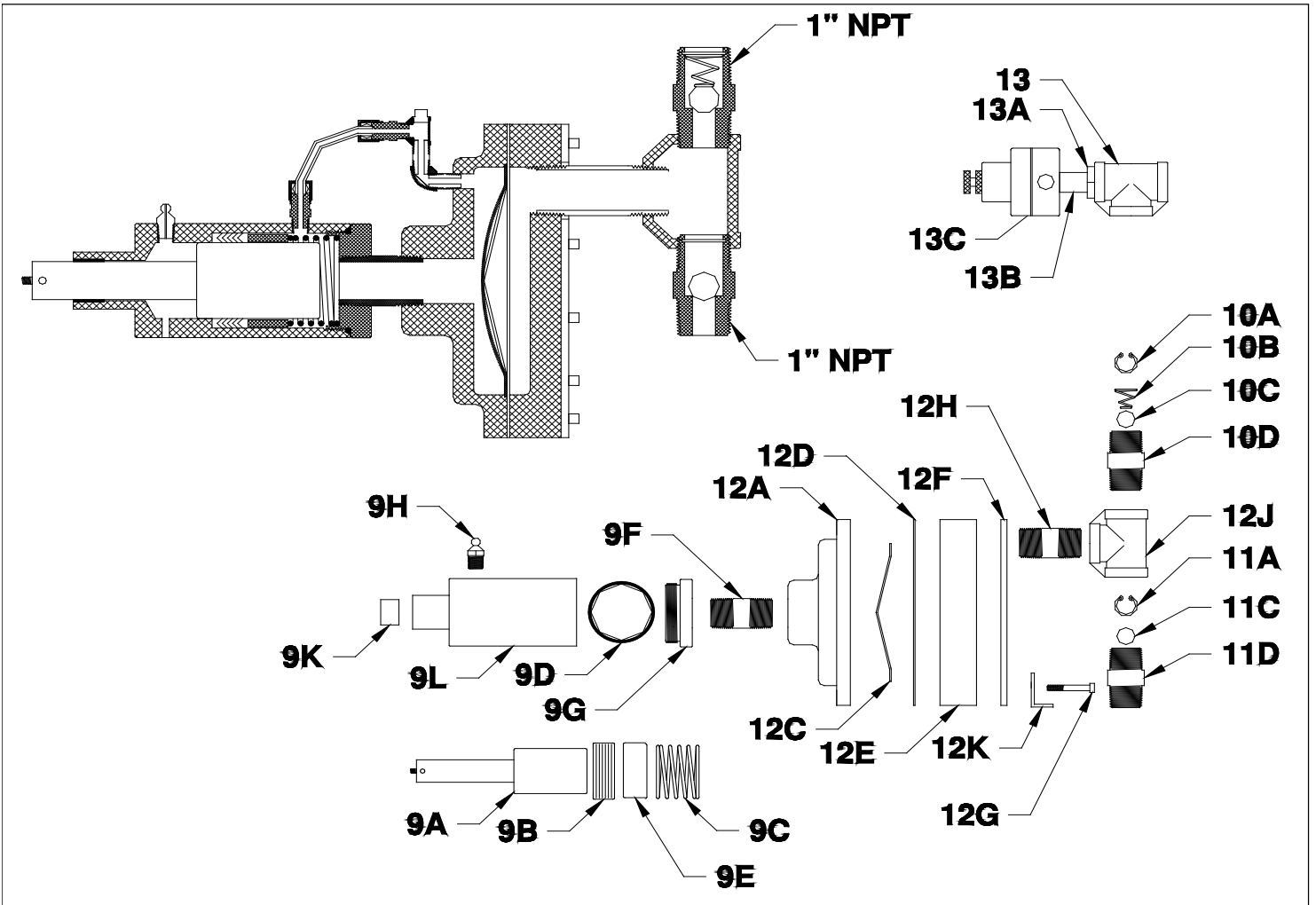
### OPTIONAL MATERIALS

**	303SS	ADD \$ ___ LIST	
	316SS	ADD \$ ___ LIST	
	C20	ADD \$ ___ LIST	C20 IS ALLOY 20

\* RECOMMENDED SPARE PARTS



## 1 1/2" & 2" DIAPHRAGM HEAD PARTS



ITEM	PART #	DESCRIPTION	LIST
9	0100-7	1 1/2" POLYETHYLENE PUMP HEAD ASSEMBLY W/CHECKS***	
	0100-8	2" POLYETHYLENE PUMP HEAD ASSEMBLY W/CHECKS***	
9A	007-8	1 1/2" DIAMETER 303SS PISTON	
	007-9	2" DIAMETER 303SS PISTON	
9B	012-8	1 1/2" PACKING SET (BUNA N)	
	012-9	2" PACKING SET (BUNA N)	
9C	017-20	1 1/2" & 2" PACKING SPRING	
9D	017-21	2 1/2" ID X 1/8" DIAMETER "O" RING SEAL	
9E	018-1	1 1/2" PACKING SPACER	
	018-2	2" PACKING SPACER	
9F	002-13	1" NPT X CLOSE BLACK NIPPLE	
9G	003-20	1 1/2" & 2" CARBON STEEL END CAP	
9H	006-1	GREASE FITTING	
9K	008-20	1 1/8" X 1" X 3/4" LONG OILITE BUSHING	
9L	001-20	1 1/2" & 2" PUMP HEAD SHELL	
10*	002-22P-D	POLYETHYLENE DISCHARGE CHECK VALVE ASSEMBLY	
	002-19-D	303SS DISCHARGE CHECK VALVE ASSEMBLY**	
10A	16-SS	SS SNAP RING BALL RETAINER	
10B	002-27	ANTI-SIPHON SPRING CONE SPRING ALLOY 276	
10C	007-20	3/4" DIAMETER CERAMIC BALL CHECK	
	002-17	3/4" DIAMETER 316SS BALL CHECK	
10D	002-30	POLYETHYLENE CHECK VALVE BODY	
	002-18	303SS CHECK VALVE BODY	

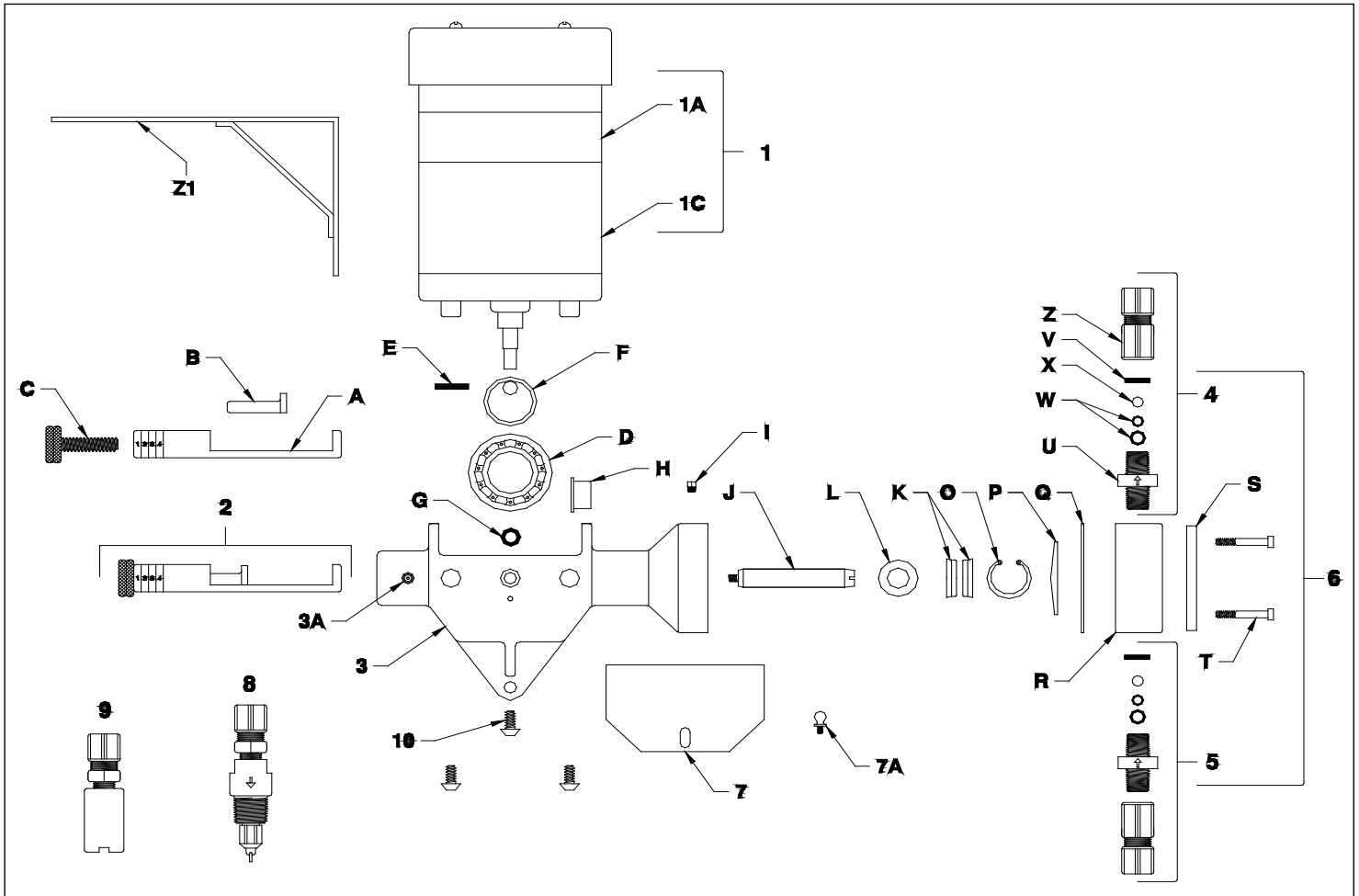
\* RECOMMENDED SPARE PARTS

ITEM	PART #	DESCRIPTION	LIST
11*	002-22P-S	POLYETHYLENE SUCTION CHECK VALVE ASSEMBLY	
	002-19-S	303SS SUCTION CHECK VALVE ASSEMBLY**	
11A	16-SS	SS SNAP RING BALL RETAINER	
11C	007-20	3/4" DIAMETER CERAMIC BALL CHECK	
	002-17	3/4" DIAMETER 316SS BALL CHECK	
11D	002-30	POLYETHYLENE CHECK VALVE BODY	
	002-18	303SS CHECK VALVE BODY	
12A	001-H20	1 1/2" & 2" HYDRAULIC HEAD CASTING	
12C	030-2H	SCREEN	
12D	026-2H	1 1/2" & 2" HYDRAULIC HEAD TEFLON DIAPHRAGM	
12E	025-H20	1 1/2" & 2" POLYETHYLENE HYDRAULIC HEAD (STANDARD)	
	025-H20-S	1 1/2" & 2" 303SS HYDRAULIC HEAD	
12F	029-H20	POLYETHYLENE PUMP HEAD CLAMP PLATE	
12G	027-H20	HEAD BOLTS (12 REQUIRED)	
12H	002-13-P	1" NPT X SHORT PVC NIPPLE	
	002-13-S	1" NPT X SHORT 316SS NIPPLE	
12J	002-12-P	1" NPT PVC TEE	
	002-12-S	1" 316SS TEE	
12K	031	HEAD SUPPORT LEG	
13	002-12-P	1" NPT PVC TEE	
13A		1/2" NPT X 1" NPT PVC BUSHING	
13B		1/2" NPT X 1 1/2" PVC NIPPLE	
13C	36P	1/2" NPT POLYETHYLENE PRESSURE RELIEF VALVE	

OPTIONAL MATERIALS

- \*\* 316SS ADD \$\_\_\_ LIST
- \*\*\* 303SS ADD \$\_\_\_ LIST
- \*\*\* 316SS ADD \$\_\_\_ LIST

## V-6 PUMP PARTS

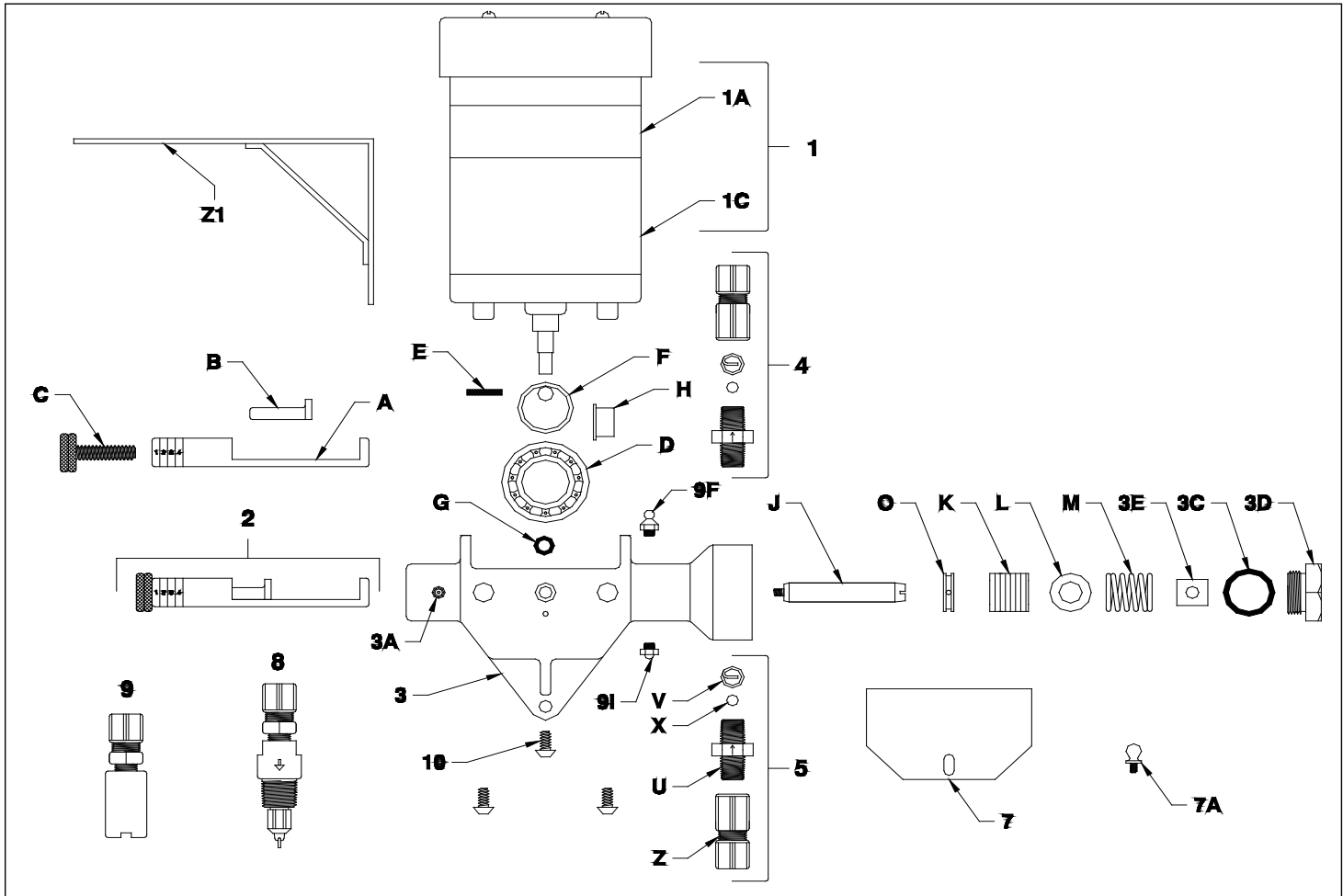


ITEM	PART #	DESCRIPTION	LIST
1	VW-2	120 VAC 1PH 1/20TH HP 2 RPM GEAR MOTOR	
	VW-6	120 VAC 1PH 1/20TH HP 6 RPM GEAR MOTOR	
	VW-12	120 VAC 1PH 1/12TH HP 12 RPM GEAR MOTOR	
	VW-30	120 VAC 1PH 1/12TH HP 30 RPM GEAR MOTOR	
	VW-60	120 VAC 1PH 1/12TH HP 60 RPM GEAR MOTOR	
1A	6K151	REPLACEMENT VW MOTOR (SPECIFY GEAR HEAD RPM)	
1C	1C-2	2 RPM VW GEAR HEAD ASSEMBLY	
	1C-6	6 RPM VW GEAR HEAD ASSEMBLY	
	1C-12	12 RPM VW GEAR HEAD ASSEMBLY	
	1C-30	30 RPM VW GEAR HEAD ASSEMBLY	
	1C-60	60 RPM VW GEAR HEAD ASSEMBLY	
2	097	SLIDE ARM ASSEMBLY	
3	08	V-6 PUMP CASTING	
3A	006-2	SLIDE GREASE FITTING	
4*	02DH	POLYETHYLENE DISCHARGE CHECK VALVE ASSEMBLY	
	02D-S	303SS DISCHARGE CHECK VALVE ASSEMBLY	
5*	02SH	POLYETHYLENE SUCTION CHECK VALVE ASSEMBLY	
	02S-S	303SS SUCTION CHECK VALVE ASSEMBLY	
6	1025	POLYETHYLENE PUMP HEAD ASSEMBLY W/CHECKS	
	1025 SS	303SS PUMP HEAD ASSEMBLY W/CHECKS	
7	102	PLASTIC COVER	
	102 GC	SS GASKETED COVER	
7A	1102-1	COVER SCREW	
8	8	POLYETHYLENE INJECTION NOZZLE	
9	9	POLYETHYLENE FOOT VALVE	
10	08-4	1/4-20 BUTTON HEAD SCREW (3 REQUIRED)	

ITEM	PART #	DESCRIPTION	LIST
A	090	SLIDE	
B	098	SLIDE PIN	
C	099	STROKE ADJUSTMENT SCREW & LOCKNUT	
D	3L06	DRIVE BEARING	
E	101-1	1/8" X 1" ROLLED PIN	
F	101	DRIVE BEARING SUPPORT CAM	
G	312	OILITE SUPPORT BUSHING	
H	500	OILITE PISTON BUSHING	
I	0006-2	1/8" NPT OIL RESERVOIR PIPE PLUG	
J	07	V-6 HARDENED STEEL PISTON	
K	12	V-6 PACKING SET	
L	13	PACKING RETAINER WASHER	
O	16	SNAP RING	
P	30	V-6 DIAPHRAGM SCREEN	
Q*	26	TEFLON DIAPHRAGM	
R	25	POLYETHYLENE HEAD	
	25 SS	303SS HEAD	
	25 S6	316SS HEAD	
S	29	CLAMP PLATE FOR POLYETHYLENE HEAD	
T	27	PUMP HEAD BOLT (4 REQUIRED)	
U	02	POLYETHYLENE CHECK VALVE BODY	
V	02-8	BALL CHECK RETAINING PIN	
W	28	VITON "O" RING SEAT	
X	002-9	3/8" DIAMETER CERAMIC BALL CHECK	
Z	50-9	3/8" NPT X 3/8" OD POLY TUBING FITTING	
	50-9 SS	3/8" NPT X 3/8" OD 316SS TUBING FITTING	
Z1	Z1	MINI-PUMP WALL BRACKET	

\* RECOMMENDED SPARE PARTS

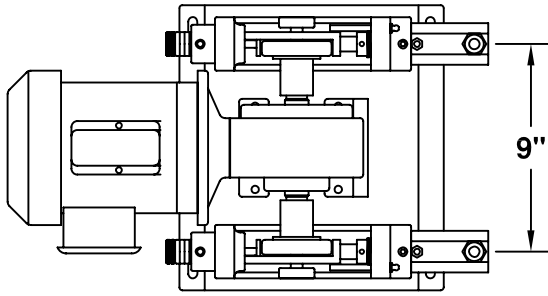
## V-7 PUMP PARTS



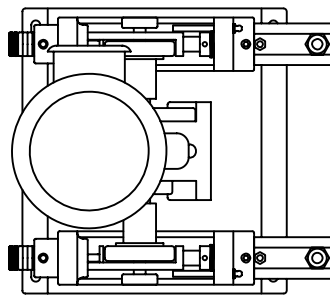
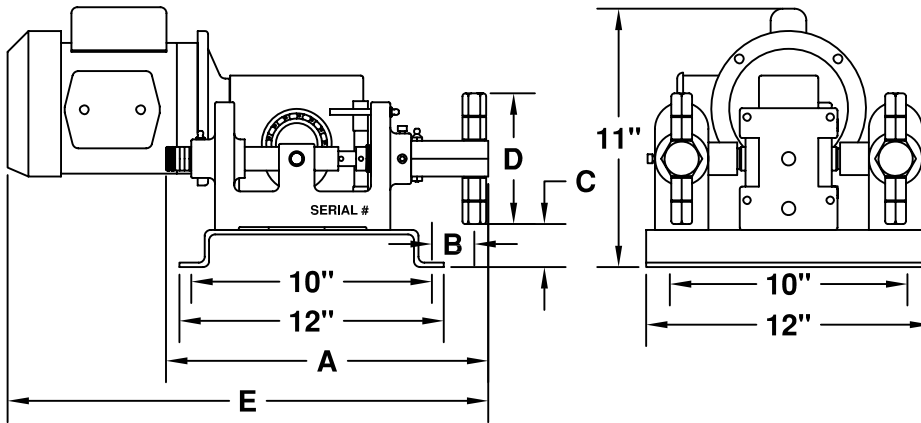
ITEM	PART #	DESCRIPTION	LIST
1	VW-2	120 VAC 1PH 1/20TH HP 2 RPM GEAR MOTOR	
	VW-6	120 VAC 1PH 1/20TH HP 6 RPM GEAR MOTOR	
	VW-12	120 VAC 1PH 1/12TH HP 12 RPM GEAR MOTOR	
	VW-30	120 VAC 1PH 1/12TH HP 30 RPM GEAR MOTOR	
	VW-60	120 VAC 1PH 1/12TH HP 60 RPM GEAR MOTOR	
1A	6K151	REPLACEMENT VW MOTOR (SPECIFY GEAR HEAD RPM)	
1C	1C-2	2 RPM VW GEAR HEAD ASSEMBLY	
	1C-6	6 RPM VW GEAR HEAD ASSEMBLY	
	1C-12	12 RPM VW GEAR HEAD ASSEMBLY	
	1C-30	30 RPM VW GEAR HEAD ASSEMBLY	
	1C-60	60 RPM VW GEAR HEAD ASSEMBLY	
2	097	SLIDE ARM ASSEMBLY	
3	08-P	V-7 PUMP CASTING	
3A	006-2	SLIDE GREASE FITTING	
4*	02D-S	303SS DISCHARGE CHECK VALVE ASSEMBLY	
5*	02S-S	303SS SUCTION CHECK VALVE ASSEMBLY	
7	102	PLASTIC COVER	
	102 GC	SS GASKETED COVER	
7A	1102-1	COVER SCREW	
8	8	POLYETHYLENE INJECTION NOZZLE	
9	9	POLYETHYLENE FOOT VALVE	
9F	006-5	GREASE FITTING	
9I	006	GREASE RELIEF FITTING	
10	08-4	1/4-20 BUTTON HEAD SCREW (3 REQUIRED)	

ITEM	PART #	DESCRIPTION	LIST
A	090	SLIDE	
B	098	SLIDE PIN	
C	099	STROKE ADJUSTMENT SCREW & LOCKNUT	
D	3L06	DRIVE BEARING	
E	101-1	1/8" X 1" ROLLED PIN	
F	101	DRIVE BEARING SUPPORT CAM	
G	312	OILITE SUPPORT BUSHING	
H	500	OILITE PISTON BUSHING	
J*	07-SS	V-7 STAINLESS STEEL PISTON	
K*	012-3 (V-7)	V-7 PACKING SET	
L	13	PACKING RETAINER WASHER	
M	M	PACKING LOAD SPRING	
O	017-4	GREASE GLAND	
U	02-S	303SS CHECK VALVE BODY	
V	002-7	BALL CHECK RETAINER SPRING	
X	002-5	3/8" DIAMETER 316SS BALL CHECK	
Z	50-9	3/8" NPT X 3/8" OD POLY TUBING FITTING	
	50-9 SS	3/8" NPT X 3/8" OD 316SS TUBING FITTING	
Z1	Z1	MINI-PUMP WALL BRACKET	
3C	3C	VITON "O" RING CAP SEAL	
3D	3D	V-7 END CAP	
3E	3E	V-7 PACKING SPACER SLEEVE	

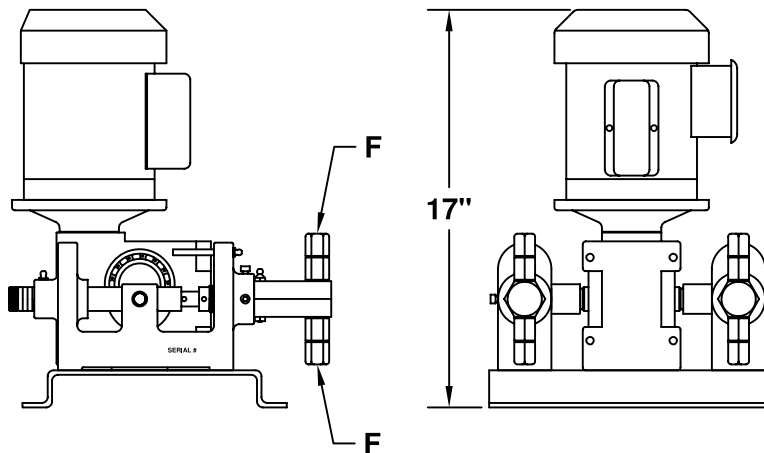
\* RECOMMENDED SPARE PARTS



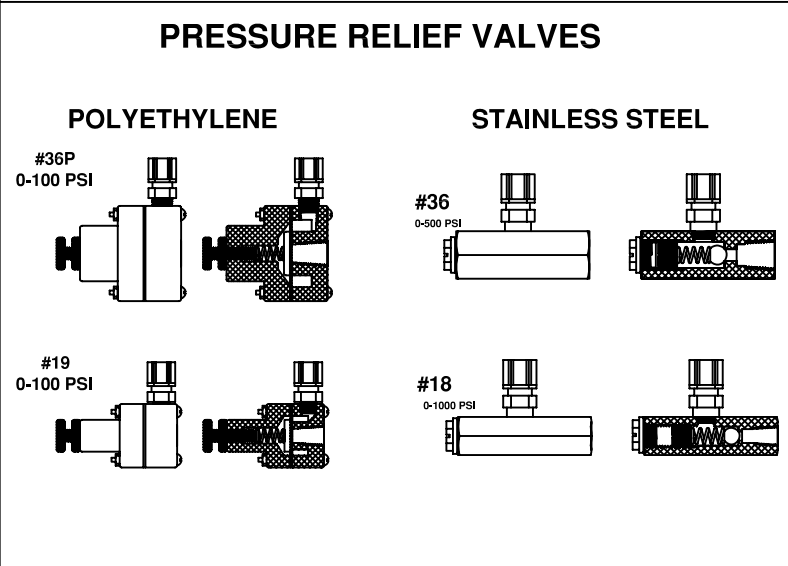
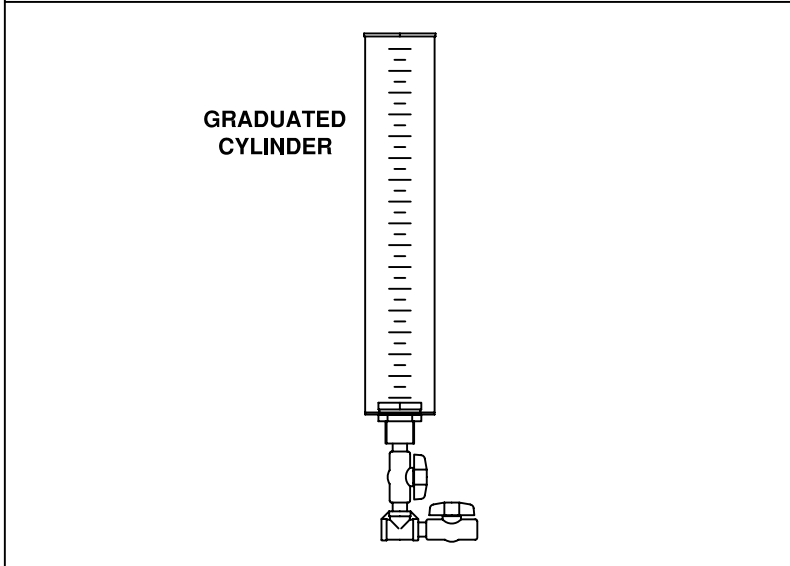
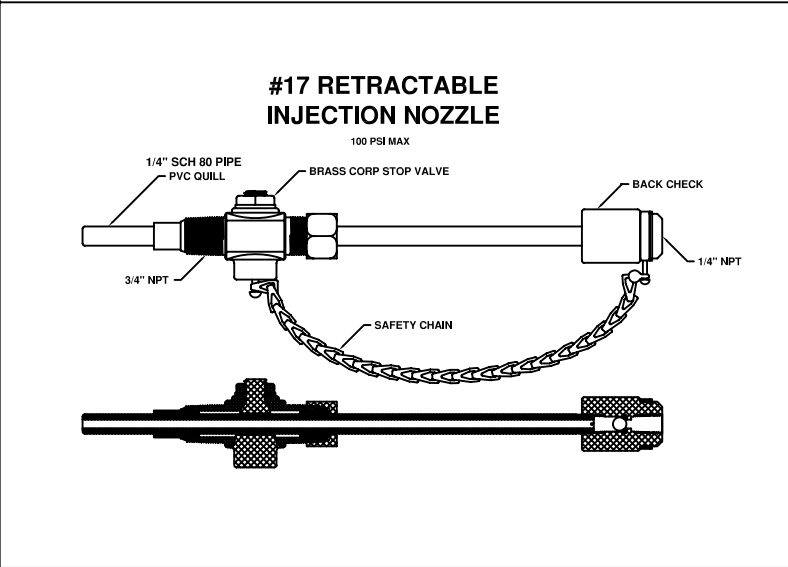
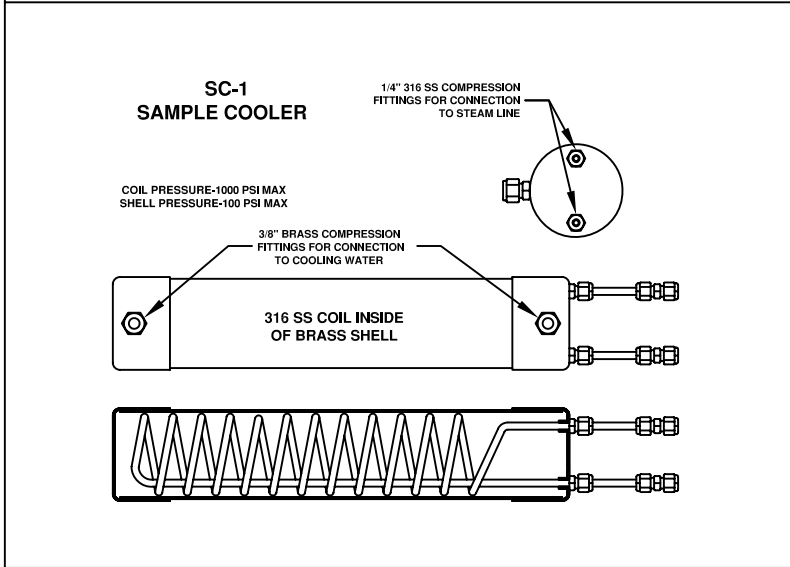
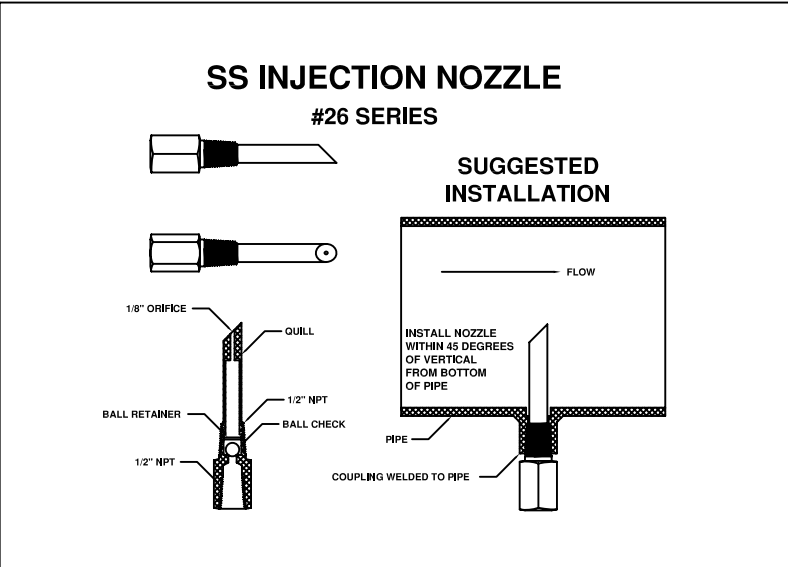
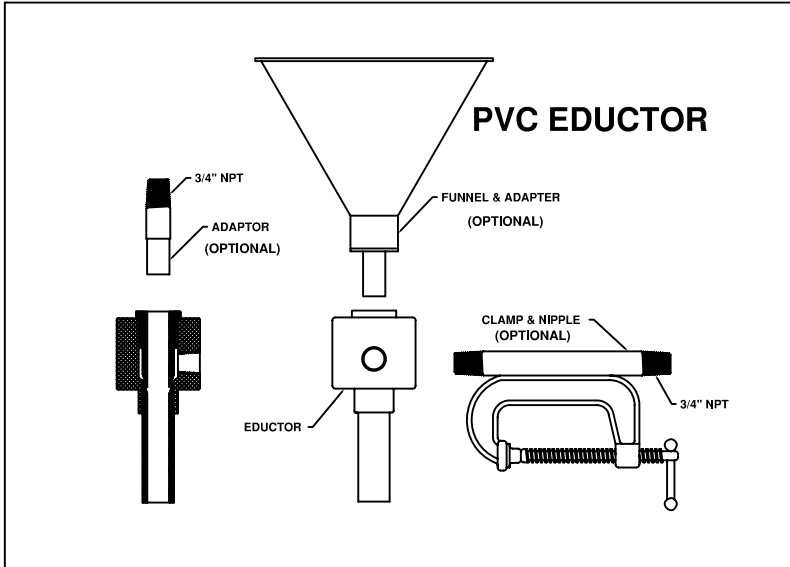
## V-10 HORIZONTAL (STANDARD)



## V-10 VERTICAL (OPTIONAL)



PISTON SIZE	A	B	C	D	E	F
1/4" THRU 5/8"	14"	2"	2"	6"	24"	1/4" NPT
1"	15"	2"	1/2"	8"	25"	1/2" NPT
1 1/2" & 2"	20"	7"	1/2"	8"	29"	1" NPT



## **WARRANTY ON EQUIPMENT SUPPLIED BY A&F MACHINE PRODUCTS COMPANY**

A&F Machine Products Company (A&F) warrants the components and workmanship of its products under normal use and service for a period of one year from date of shipment. All obligations and liabilities assumed under this warranty are limited to the repair or replacement, at our option, FOB A&F, of defective units that are returned. Improper use, application, or service voids all warranties. In any event, A&F shall not be liable for indirect or consequential damages arising out of the use of this equipment.

Warranty on equipment and accessories furnished by A&F, but not manufactured by A&F, shall be limited to the warranty of the respective equipment or accessory manufacturer for such units. In any event, A&F shall not be liable for indirect or consequential damages arising out of the provision or use of this equipment or accessory.

## **Shipping is FOB A&F Machine Products Co. in Berea, Ohio**

### **FEDEX GROUND AND FEDEX AIR**

MOST ORDERS LESS THAN 90# WILL BE SHIPPED VIA FEDEX GROUND, OR AIR IF SPECIFIED. WE DO NOT USE UPS. WE WILL SHIP PREPAY AND ADD UNLESS YOU SUPPLY A FEDEX ACCOUNT NUMBER. ORDERS OVER 90# WILL BE SHIPPED BY MOTOR FREIGHT.

### **MOTOR FREIGHT**

ORDERS SHIPPED BY MOTOR FREIGHT ARE SHIPPED COLLECT OR BILLED TO A THIRD PARTY. PLEASE SPECIFY ON YOUR ORDER ANY PREFERENCE IN CARRIERS. ANY ORDER SHIPPED "PREPAID & ADD" WILL BE SUBJECT TO A \$30 HANDLING FEE.

### **EXPEDITE FEE**

ALL PUMPS ARE CUSTOM BUILT PER ORDER. NORMALLY PUMP AND PACKAGED SYSTEM ORDERS ARE SHIPPED WITHIN 2 TO 3 DAYS AFTER RECEIPT OF THE ORDER. PUMP ORDERS REQUESTING SAME DAY OR NEXT DAY SHIPPING WILL BE HANDLED ON A FIRST COME FIRST SERVE BASIS AND WILL BE SUBJECT TO AN EXPEDITE FEE OF 25% OF THE INVOICE TOTAL. MOST PARTS ORDERS ARE SHIPPED FROM STOCK THE SAME DAY THEY ARE ORDERED. THERE IS A \$25 MINIMUM ON PARTS ORDERS.

### **TERMS ON OPEN ACCOUNTS**

NET INVOICE AMOUNT IS DUE 30 DAYS FROM DATE OF THE INVOICE. ACCOUNTS PAST 60 DAYS OF THE INVOICE DATE ARE PLACED ON HOLD UNTIL THE ACCOUNT IS BROUGHT WITHIN TERMS. ACCOUNTS PAST 90 DAYS OF THE INVOICE DATE OR POSTING AN "AVERAGE PAY DAYS" OF 60 DAYS OR MORE ARE REMOVED FROM OPEN ACCOUNT STATUS AND PUT ON A CIA/COD ACCOUNT STATUS. ACCOUNTS OVER THEIR CREDIT LIMIT AND PAST 30 DAYS OF ANY INVOICE DATE WILL BE PLACED ON HOLD UNTIL THE ACCOUNT IS BROUGHT WITHIN TERMS.

### **DISCOUNT SCHEDULE**

ALL PRICES IN THIS CATALOG ARE "LIST" PRICES. DISCOUNTS ARE OFFERED BASED ON PREVIOUS SALES HISTORY AND ARE SUBJECT TO CHANGE WITHOUT NOTICE. ORDERS RECEIVED THAT HAVE A PRICING DISCREPANCY WILL BE CORRECTED AND FAXED OR E-MAILED BACK FOR CUSTOMER APPROVAL BEFORE BEING PROCESSED.

### **CREDIT CARD SALES**

A&F WILL ACCEPT PAYMENT BY VISA, MASTERCARD, OR DISCOVER CREDIT CARDS, NOT AMERICAN EXPRESS. A 5% ADMINISTRATION FEE WILL BE ADDED TO THE INVOICE TOTAL FOR CREDIT CARD SALES.