

J.L. WINGERT CO.

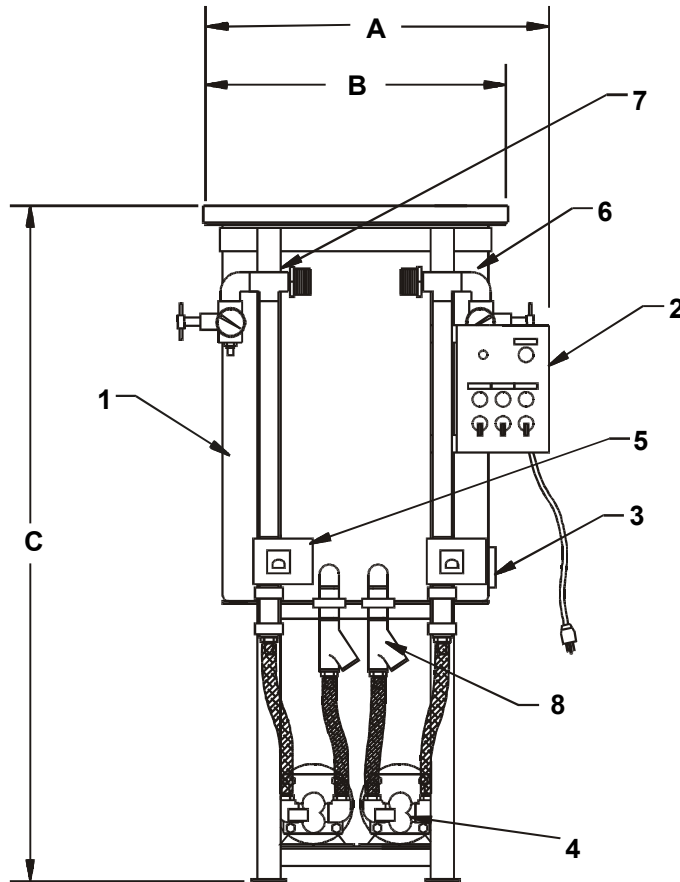
P.O. Box 6207 • Garden Grove, CA 92846-6207 / 11800 Monarch Street • Garden Grove, CA 92841-2113
 Phone (714) 379-5519 • Fax (714) 379-5549 ■ Email: customerservice@jllwingert.com
 Northern California Region • Phone (510) 487-5310 ■ Southwest Region • Phone (602) 470-1015
 www.jllwingert.com

J.L. WINGERT MANUFACTURED PRODUCTS: Mixers, Bypass Feeders, Filter Feeders, Bromine Feeders, Sample Coolers, Sludge Traps, Separators, Separator Systems, Tank Stands, Tank Package Systems, Glycol Feed Systems, Coupon Racks, Control Stations, NEMA Enclosures, Custom Packaged Systems and Specialty Welding

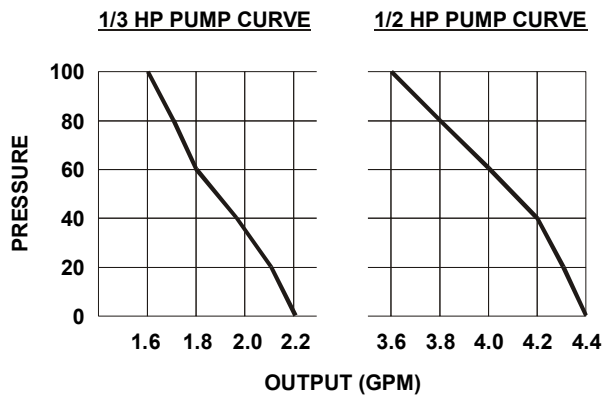
Specification Sheet #165003 Rev. "I" (11/11)

"GL50-E2-1" DUAL GLYCOL FEED SYSTEM

For a price or to purchase on line, [CLICK HERE.](#)



FRONT VIEW



MATERIALS AND SPECIFICATIONS:

| KEY | SPECIFICATIONS |
|--|---|
| 1 | TANK: 50 gallon polyethylene tank with 1/3 hinged PE cover • Tank is fully supported and restrained by a carbon steel bottom mount stand that is painted with water based enamel |
| 2 | CONTROL PANEL: The NEMA 4X control panel comes standard with 8 ft., 115V power cord • The control panel includes 2-position main power switches and lights, (2) 3-position (hand/off/auto) switch and light for gear pumps, red low level light and 15 AMP fuse |
| 3 | LOW LEVEL SWITCH: Polypropylene side entry low level switch with 10 AMP relay |
| 4 | GEAR PUMPS: 1/3HP gear pump provides steady and even flow against pressure (see curve below) - Pump suction plumbing includes PVC ball valve, flexible tubing and cast iron Y-strainer - Pump discharge tubing includes brass construction spring check valve, PVC piping and 1/4" NPT back tap pressure gauge |
| 5 | PRESSURE SWITCHES: 1/4" NPT pressure switch |
| 6 | PRESSURE RELIEF VALVES: 50-250 PSI Brass Pressure Relief Valve |
| 7 | OUTLETS: 3/4" MNPT |
| 8 | SUCTION VALVES: with Y-strainer |
| MAX. PRESSURE 100 PSI (6.9 BAR) | |
| MAX. TEMPERATURE 85° F (29° C) | |

PRESSURE SETTING TABLE

| CODE | CUT-IN | CUT-OUT | PSI DIFFERENTIAL |
|---------|--------|---------|------------------|
| Code 1* | 10-40 | 20-60 | 10-40 |
| Code 2 | 40-80 | 65-100 | 20-40 |
| Code 3 | 3-10 | 9-30 | 6-20 |

* NOTE: Code 1 is standard. Listed optional settings are available at no extra charge. Other settings or ranges are available upon request, consult factory for pricing.

DIMENSIONS, WEIGHT & CUBE:

| KEY | GL50-2E1 |
|--------|----------------------|
| A | 31" |
| B | 24 1/4" |
| C | 59 3/4" |
| WEIGHT | 175 lbs. (79.3 kgs.) |
| CUBE | 31" X 31" X 60" |

| OPTIONAL FEATURES |
|----------------------------------|
| Audible alarm and silence switch |
| Additional PSI control ranges |
| Additional pump ranges and HP's |
| Tank capacities |

Note: All dimensions are +/- 1/8". All weights are approximate. All dimensions are subject to change without notice.